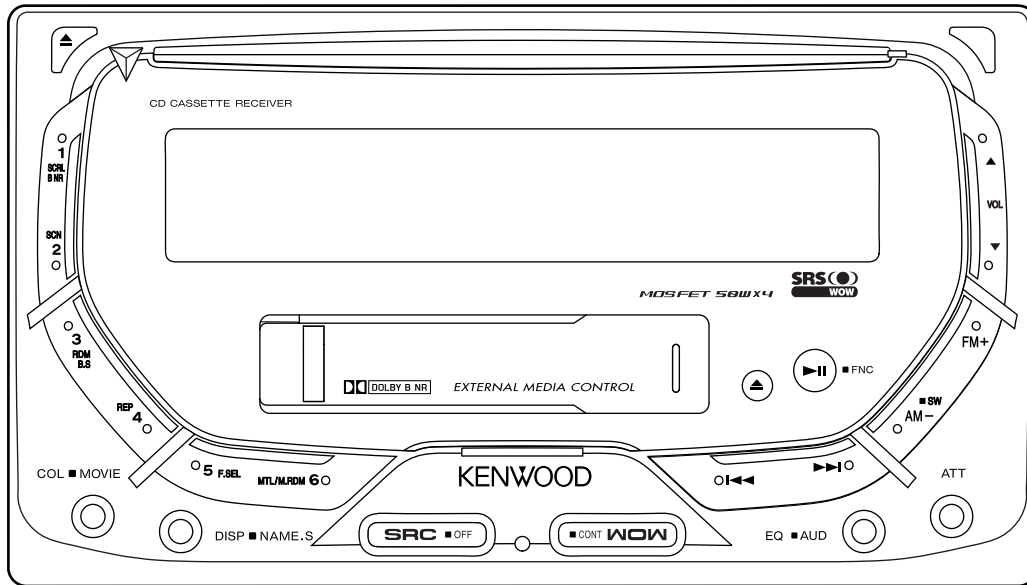


CD CASSETTE RECEIVER

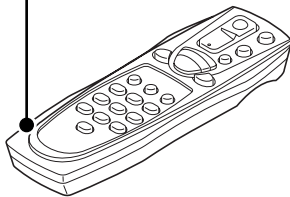
DPX-MP4070 DPX-MP4070B SERVICE MANUAL

KENWOOD

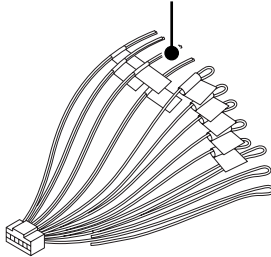
© 2004-7 PRINTED IN JAPAN
B53-0190-00 (N) 1033



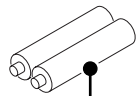
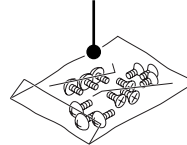
REMOTE CONTROLLER ASSY (RC-505)
(A70-2059-05)



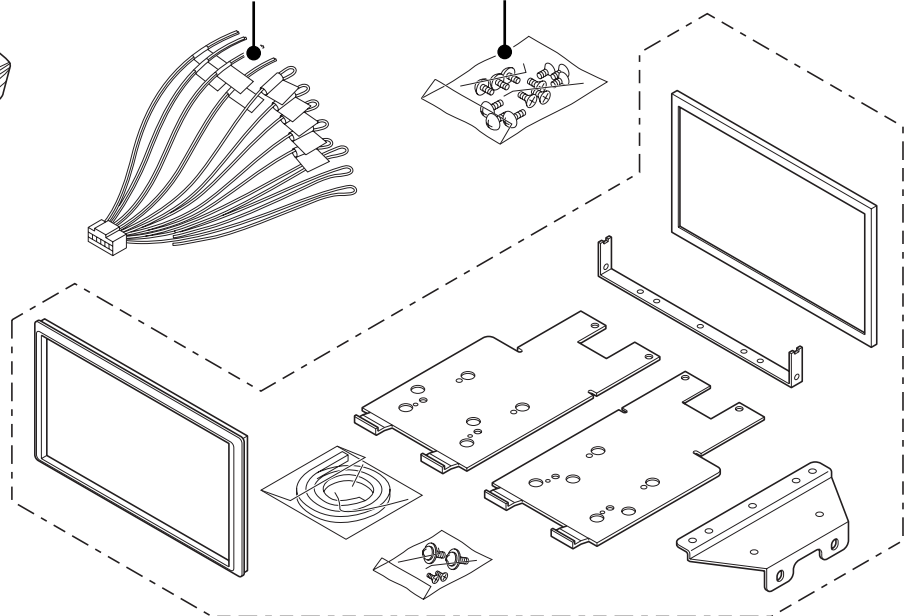
DC CORD ASSY
(E30-6405-08)



SCREW SET
(N99-1724-05)



BATTERY
(Not supplied)

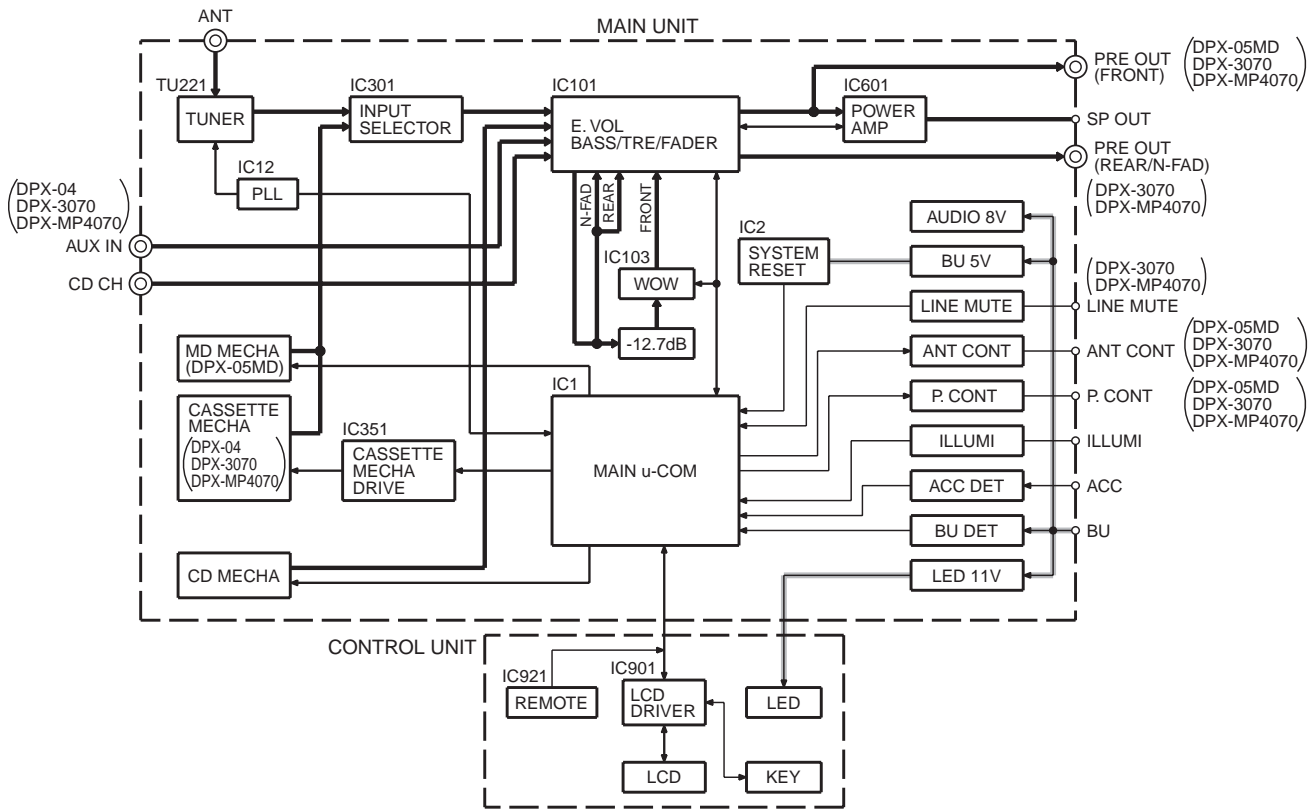


Depends on the model. Refer to the exploded view and parts list.

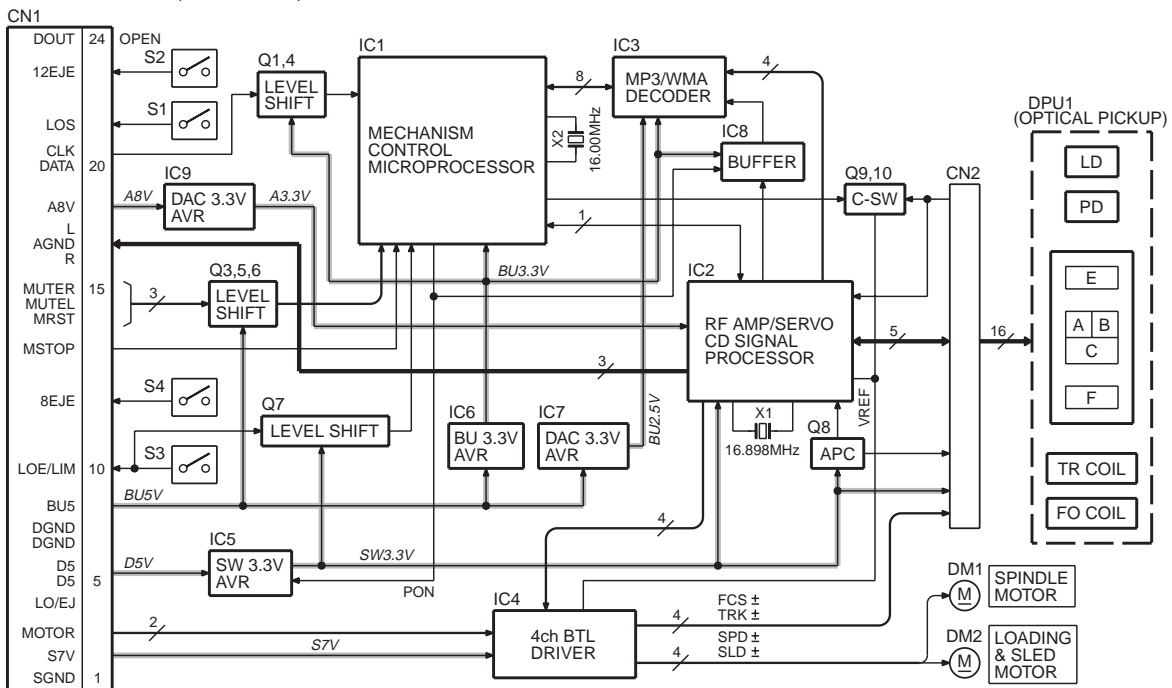


DPX-MP4070/MP4070B

BLOCK DIAGRAM



CD PLAYER UNIT (X32-5500-01)



COMPONENTS DESCRIPTION

● MAIN UNIT

Ref. No.	Application / Function	Operation / Condition
IC1	MAIN μ -COM	Main microcomputer
IC2	RESET	
IC3	MUTE	
IC4	ROM COLLECTION	
IC5	SECURITY ROM	
IC12	PLL	PLL for tuner
IC101	E-VOL	Electric volume
IC103	WOW	
IC104	WOW FOCUS	
IC301	AUDIO SELECTOR	Audio switch for cassette and tuner
IC351	CASSETTE MOTOR DRIVER	Driver for cassette motor
IC601	POWER IC	Output amplifier
Q1	RESET SW	
Q5	FM VCC SW	
Q101	E-VOL MUTE SW	
Q141	WOW FOCUS SW	
Q221	FM/AM VT DRIVER	
Q271,272	PRE MUTE DRIVER	Mute switch for preout
Q277	PRE MUTE SW	
Q281,282	PRE MUTE DRIVER	Mute switch for preout
Q287	PRE MUTE SW	
Q802-805	P. CON SW (P-ANT SW)	
Q806,807	P-ANT SW	
Q808	POWER IC STANDBY SW	
Q809	BACK-UP DET SW	
Q810	ACC DET SW	
Q811	ILLUMI DET SW	
Q812	BMS CONTROL DRIVER	External amplifier driver
Q813	BACK-UP DET SW	
Q851	P. ON SW	
Q852-854	S7.5V AVR	7.5V power supply for CD mechanism
Q855,856	D5V AVR	5V power supply for CD mechanism
Q857,858	BU5V AVR	
Q859	SW5V SW	
Q860	SW5V DRIVER	
Q861,862	MOTOR+B SW	Power supply for cassette motor
Q863,864	A8V AVR	8V power supply for audio
Q865	P. ON-ILLUMI SW	
Q866,867	LED11V AVR	11V power supply for LED
Q868,869	MAIN MOTOR+B SW	Power supply for cassette main motor
Q870	P. ON SW	

DPX-MP4070/MP4070B

● CONTROL UNIT

Ref. No.	Application / Function	Operation / Condition
IC901	LCD DRIVER	LCD driver
IC921	REMOTE	Receives remote signal
Q903	RED LED SW	
Q904	BLUE LED SW	
Q905	GREEN LED SW	
Q906	SECURITY INDICATOR SW	
Q921	REMOTE SW	

● EQUALIZER UNIT

Ref. No.	Application / Function	Operation / Condition
IC250	DOLBY/EQUALIZER	Cassette audio equalizer

● CD PLAYER UNIT (X32-5500-01)

Ref. No.	Application / Function	Operation / Condition
IC1	MECHANISM CONTROL MICRO PROCESSOR	Focusing, tracking, sled and spindle servo processing. Automatic adjustment (Focusing, tracking, gain, offset and balance) operations. Digital signal processing (DSP, PLL, sub-codes, CIRC error correction, audio data interpolation) operations, and microcomputer function.
IC2	RF AMP/SERVO CD SIGNAL PROCESSOR	Generation of RF signal based on the signals from the APC circuit and pickup, and generation of servo error (Focusing error and tracking error) signals. Detection of dropout, anti-shock, track crossing and off-track conditions, included gain control function during CD-RW.
IC3	MP3/WMA DECODER	
IC4	4ch BTL DRIVER	Focusing coil, tracking coil, spindle motor and sled motor driver, disc loading and eject operation.
IC5	SW 3.3V AVR	
IC6	BU 3.3V AVR	3.3V power supply for back-up.
IC7	BU 2.5V AVR	2.5V power supply for back-up.
IC8	SELECTOR (SERIAL DATA)	Serial audio data switch.
IC9	DAC 3.3V AVR	3.3V power supply for IC2.
Q1	LEVEL SHIFT	3.3V to 5.0V.
Q3-7	LEVEL SHIFT	3.3V to 5.0V.
Q8	AUTOMATIC POWER CONTROL	LD driver.
Q9,10	SWITCH	Switch for anticipation sub-beam delay.

MICROCOMPUTER'S TERMINAL DESCRIPTION

● MAIN μ -COM : MN101C49KWG (MAIN UNIT : IC1)

Pin No.	Active (H/L)	Pin Name	I/O	Application	Processing Operation
1		VREF-	-	μ -com reference voltage (-)	
2		REEL S	I	Cassette mechanism reel rotation detection	
3		REEL T	I	Cassette mechanism reel rotation detection	
4		DC ERR	I	Power IC offset voltage observation	
5		LINE MUTE	I	Line mute detection	
6	H	ACC DET	I	ACC power supply detection	H : ACC OFF
7	L	ILLUMI DET	I	Dimmer illumination detection	L : ILUMMI ON
8		JS1	I	Destination setting 3	
9		CD MECHA SEL	I	CD mechanism selection terminal	H : MP3 CD mechanism L : NORMAL CD mechanism
10		VREF+	-	μ -com reference voltage (+)	
11		VDD	-	Power supply for μ -com	
12		OSC2	-	Main clock output	
13		OSC1	-	Main clock input	
14		VSS	-	GND for μ -com	
15		XI	-	Sub clock input	
16		XO	-	Sub clock output	
17		MMOD	-	Memory mode setting	
18		LX DATA M	O	Data to slave unit	
19		LX DATA S	I	Data from slave unit	
20		LX CLK	I/O	LX BUS clock	
21	L	MODE1	I	Cassette mechanism condition detection SW1	H : Normal condition, L : Reset
22	L	MODE2	I	Cassette mechanism condition detection SW2	
23		MODE3	I	Cassette mechanism condition detection SW3	
24		PWIC BEEP	O	Beep output	
25		NC	-		
26		BU DET	I	Momentary power down detection	L : Normal condition, H : Momentary power down
27		LX REQ S	I	Communication request from slave unit	
28		REMO	I	Remote control signal input	Pulse width detection
29		L DATA IN	I	Data input from LCD driver	
30, 31		NC	-		
32		VDD2	-	Power supply for μ -com	
33		NRST	-	μ -com reset terminal	L : Reset
34		LCD BLIGHT R	O	LCD back light control (Red)	PWM control
35		NC	-		
36		LCD BLIGHT B	O	LCD back light control (Blue)	PWM control
37		NC	-		
38		L INH	O	Turns off LCD display	

DPX-MP4070/MP4070B

MICROCOMPUTER'S TERMINAL DESCRIPTION

Pin No.	Active (H/L)	Pin Name	I/O	Application	Processing Operation
39		L CE	O	Data latch to LCD driver	
40		LCD BLIGHT G	O	LCD back light control (Green)	PWM control
41		VPP	-	Power supply terminal for flash memory writing	
42		L DATA OUT	O	Data output terminal to LCD driver	
43		L DATA IN	I	Data input from LCD driver	
44		L CLK	O	Clock output terminal to LCD driver	
45		SDA	I/O	E2PROM writing terminal	
46		NC	-		
47		SCL	I/O	CD mechanism I2C clock output terminal	
48		ROMCOL WR	I	Presence-or-absence setting for ROM collection (E2PROM)	
49		LED SI	O	LED control for security indicator	
50		JS2	I	Destination setting 4	
51		TUN TYPE1	I	Destination setting 2	
52		TUN TYPE0	I	Destination setting 1	
53		SUB M+	O	Cassette mechanism sub motor control	
54		SUB M-	O	Cassette mechanism sub motor control	
55		MS IN	I	Between-numbers detection signal input	L : Number exists
56	H	DOLBY	O	DOLBY NR	H : DOLBY NR ON
57	H	C MUTE	O	Equalizer mute	H : MUTE ON
58	L	METAL	O	Play-back equalizer switch	L : METAL ON
59		C F/R	O	Head input switch	L : Forward, H : Reverse
60		MS MODE	O	Detection sensitivity switch	L : G1, H : G2
61		TUN CE	O	Tuner PLL data setting (CS)	
62		TUN DI	I	Tuner PLL data setting (DATA IN)	
63		TUN DO	O	Tuner PLL data setting (DATA OUT)	
64		TUN CLK	O	Tuner PLL data setting (CLOCK)	
65		SD/ST-IND	I	Front-end S-meter input	During seek operation, H: Number exists During reception, H : Mono, L : Stereo
66		CD DISC12 SW	I	CD disk detection terminal (12cm)	
67		CD LOS SW	I	CD loading detection terminal	
68		CD MUTE R	I	CD mute (Rch) request terminal	L : Rch mute request
69		CD MUTE L	I	CD mute (Lch) request terminal	L : Lch mute request
70	L	CD MRST	O	CD mechanism μ -com reset terminal	H : Normal condition, L : Reset
71	L	CD MSTOP	O	CD mechanism μ -com stop terminal	H : Mechanism μ -com activates L : Mechanism μ -com stops
72		CD DISC8 SW	I	CD disk detection terminal (8cm)	
73		CD LOE LIM SW	I	CD detection terminal (Chucking switch)	H : Loading completes, L : No disk
74		CD LOEJ	O	CD motor control terminal	

MICROCOMPUTER'S TERMINAL DESCRIPTION

Pin No.	Active (H/L)	Pin Name	I/O	Application	Processing Operation
75		CD MOTOR	O	CD motor control terminal	
76	L	SW MUTE	O	Mute control for switch	During mute : L
77		NC	-		
78	L	PWIC STBY	O	Power IC standby control	
79	L	PWIC MUTE	O	Power IC mute control	During momentary power down : H
80		ES SW	O	X'over filter select terminal 3	
81		ES SEL2	O	X'over filter select terminal 2	
82		ES SEL1	O	X'over filter select terminal 1	
83	H	AUD MUTE	O	Audio mute control terminal	H : MUTE ON
84		WOW MODE3	O	WOW IC control terminal 3	
85		WOW MODE2	O	WOW IC control terminal 2	
86		WOW MODE1	O	WOW IC control terminal 1	
87		WOW Focus	O	WOW IC control terminal 4	
88		SRC SEL1	O	IC2-5 input source switch	
89		BMS CTRL	O	External amplifier control	
90	H	PON ILL	O	Key illumination control (Flash EPM)	H : ON
91		MOTOR+B	O	Cassette mechanism main motor control	
92	H	P ANT	O	Power antenna control terminal (When P. CON is Hi only)	H : ANT ON, L : ANT OFF
93	H	P CON	O	External amplifier current control	H : ON
94	L	MUTE ACOU	O	Mute on ACOU line	L : MUTE
95		DAVSS	-	GND for μ -com	
96	H	PON	O	Power supply control	H : ON
97		SW5V	O	SW 5V control	H : ON
98	H	LX CON	O	Start-up request to slave unit	H : SLAVE UNIT ON, L : SLAVE UNIT OFF
99		LX REQ M	O	Communication request to slave unit	
100		DAVDD	-	Power supply for μ -com	

● KEY MATRIX TABLE

	KS1	KS2	KS3	KS4	KS5
KI1		3	VOL+	▶▶	▶▶▶
LI2		2	VOL-	SRC	FM
KI3		1	ATT	▶▶▶	AM
KI4	WOW	4	5	CD EJ	RESET
KI5	EQ		6	TAPE EJ	DISP

• Multiple push

Frequency step switch (K/M destination) : 1 + 5 + SRC

After-sales service test mode in assembly line : ATT + WOW + SRC

DC offset forced clear : DISP + EQ + SRC

DPX-MP4070/MP4070B

MICROCOMPUTER'S TERMINAL DESCRIPTION

● CD MECHANISM μ -COM : IC1 on X32- (CD PLAYER UNIT)

Pin No.	Active (H/L)	Pin Name	I/O	Application	Processing Operation
1		VREFL	-	Reference power supply input terminal for ADC (L).	GND
2		AVSS	-	GND terminal for ADC.	GND
3		AVCC	-	Power supply terminal for ADC.	Back-up 3.3V
4		NC	-		
5	L	20RST	O	Reset control (Decoder).	L : Reset, H : Normal condition
6		20ACK	I	Acknowledge signal input (Decoder).	
7		20STBY	O	Standby control (Decoder).	H : Standby, L : Normal condition
8,9		NC	-		
10		20INT	I	Interrupt signal input (Decoder).	
11		FOGUP	I	Focus gain-up interrupt.	H : Focus gain-up, L : Normal condition
12		LZM	I	0 bit mute detection (Lch).	L : MUTE OFF, H : MUTE ON
13		RZM	I	0 bit mute detection (Rch).	L : MUTE OFF, H : MUTE ON
14,15		NC	-		
16	L	20CS	O	Chip select signal output (Decoder).	
17	L	20LP	O	Latch pulse signal output (Decoder).	
18		20TXD0	I/O	Data output for serial data (Decoder).	Except output condition, input condition is kept.
19		20RXD0	I	Data input for serial data (Decoder).	
20		20SCLK0	O	Clock output for serial data (Decoder).	
21		DSPTXD1	O	Data output for serial data (DSP).	
22		DSPRXD1	I	Data input for serial data (DSP).	
23		DSPSCLK1	O	Clock output for serial data (DSP).	
24		AM0	-	ROM mode selection terminal.	H : Normal condition, L : External ROM mode
25		DVCC	-	Back-up 3.3V.	
26		X2	O	Resonator terminal.	16MHz
27		DVSS	-	GND.	
28		X1	I	Resonator terminal.	16MHz
29		AM1	I	"H" condition is fixed.	Back-up 3.3V
30	L	RESET	I	Reset detection.	L : Reset, H : Normal condition
31~34		CN	-		
35	L	DSPSTB	O	Data strobe signal output (DSP).	
36		DSPA0	O	Command/Parameter identification signal output (DSP).	H : Parameter data output, L : Command data output
37	L	DSPRST	O	Reset control (DSP).	
38		DSPINT	I	Interrupt signal input (DSP).	H : Interrupt
39		NC	-		
40		SEARCH	O	Search condition output.	H : Search, L : Normal condition
41		LOE/LIM SW	I	CD inner circumference detection switch.	H : Inner circumference
42~49		NC	-		

Pin No.	Active (H/L)	Pin Name	I/O	Application	Processing Operation
50		FLAGIN	I	C2Err impossibility detection.	L : Correction is possible. H : Correction is impossible.
51-61		NC	-		
62		DVSS	-	GND.	
63	L	NMI	I	Non-maskable interrupt request.	
64		DVCC	-	Power supply terminal.	
65-77		NC	-		
78		NC/BOOT	I	Mask : Not connected. Flash : For writing (Active "L").	L : Write, H : Normal condition
79,80		NC	-		
81		POND3.3	O	Digital 3.3V power-on control terminal.	H : POWER ON
82	L	MUTEL	O	Lch audio mute control.	
83	L	MUTER	O	Rch audio mute control.	
84		SDA	I/O	I2C data (Main μ -com).	
85		SCL	I/O	I2C clock (Main μ -com).	
86	L	MSTOP	I	Stand-by comeback interrupt.	L : Stop, H : Stop is released.
87		NC	-		
88	L	DMUTE	O	Driver mute.	L : MUTE ON, H : MUTE OFF
89		DVCC	-	Power supply terminal.	
90		NC	-		
91		DVSS	-	GND terminal.	
92,93		NC	-		
94		MSEL	I	Memory capacity switching terminal.	H : Capacity size down, L : Capacity size up
95		NC	-		
96		ASEL	I	Audio output polarity switch.	H : Reverse output, L : Non-reverse output
97		CHSEL	I	Changer destination terminal.	H : Changer, L : Other source
98		SEL0	I	μ -com destination terminal 0.	
99		SEL1	I	μ -com destination terminal 1.	
100		VREFH	I	Reference power supply input terminal for ADC (H).	Back-up 3.3V

TEST MODE

● How to enter the test mode

- In order to enter the test mode, while pressing down [ATT] + [WOW] keys simultaneously, press [SRC] key.

● Test mode conditions

- The test mode starts up when STANDBY source is selected.
- The volume value is -10dB. (30 on the display)
- Beep prohibited.
- All lights displayed. (3-color LED lights up for all three colors. (white lighting))
- WOW : OFF
- EQ : Natural

● Test mode (Source : CD)

- When starting disc loading, tracks will be played starting with the Track No. 9.
- The key operations below will be conducted only when the source is CD.

Even when changes occur in the track number being played with the other sources, the play condition will persist.

Preset [1] key for Track No. 19

Preset [2] key for Track No. 5

Preset [3] key for Track No. 15

Preset [4] key for Track No. 14

- [▶▶] key is to be used for selecting preset tracks only. (Refer to the table below.)
- [◀◀] key is to be used for down selection, as with regular operation.

Current track	Track to be searched
No. 1~No. 8, No. 14, No. 16~Max	No. 9
No. 9	No. 15
No. 15	No. 10
No. 10	No. 11
No. 11	No. 12
No. 12	No. 13
No. 13	No. 14

● Test mode (EQ adjustment)

- While the source is being displayed, clicking once on the [EQ/AUD] key will cause the unit to enter Adjustment Mode.
 - When [1] key is pressed: Flat
 - When [2] key is pressed : Full-boost
 - When [3] key is pressed : Full-cut

- The settings for Q, Freq, and Ex are fixed.

Bass	Q	2.0
	Feq	150Hz
	Ext	ON
Mid	Q	2.0
	Feq	1kHz
Treble	Feq	10kHz

● Test mode (Audio adjustment)

- While the source is being displayed, long-clicking on the [EQ/AUD] key will cause the unit to enter Adjustment Mode. By toggling on the [FM] and [AM] key, the items below can be selected and adjustments can be made with [◀◀] and [▶▶] keys.

The balance adjustment is set for three steps

: RIGHT ↔ CENTER ↔ LEFT (L15, R15)

The fader adjustment is set for three steps

: FRONT ↔ CENTER ↔ REAR (F15 and R15)

● Test mode (DC offset detection)

- When DC error detection is carried out during the Test Mode, the unit shuts down without writing the error information to the EEPROM. The other cases will be the same as the DC offset specifications.

● Test mode (Display of DC offset detection results)

- When in this mode, the mode for "Display of DC offset detection results" will be added in the MENU items at the time when Test Mode Standby is the source. This will make it possible to confirm results with presence-or-absence detection.

MENU selection : DIMMER adjustment → ... → (NAVI ATT ON/OFF) → (CODE STBY) → Display of DC offset detection results

- Display
 - DC offset detected : DC Err
 - DC offset not detected : DC OK

- * The detection information in the EEPROM can be forcibly cleared by pressing [◀◀] or [▶▶] key for more than two seconds while the DC offset detection (DC Err) is being displayed. In this case, the display will be for DC offset not detected. (DC OK).

TEST MODE

● Test mode (Accumulated elapse time display)

- When in this mode, the mode for “Accumulated Elapse Time Display” will be added in the MENU items at the time when Test Mode Standby is the source. This will make it possible to confirm on the accumulated elapse time.
- MENU selection: DIMMER adjustment → ... → (NAVI ATT ON/OFF) → (CODE STBY) → Display of DC offset detection results → Accumulated Elapse Time Display

* By pressing [◀◀] or [▶▶] key for during Accumulated Elapse Time Display, the sources for the accumulation can be switched. (Repeating sequence : TAPE accumulation time → CD accumulation time → TAPE accumulation time)

● Releasing the test mode

- The Test Mode is released by the following sequence: Reset, ACC OFF and ON, Power OFF and ON. Also, by ACC OFF and POWER OFF, the Source of Tuner and Audio will go into the initial conditions.

● Coping with backup current measurement

- Regardless of the Test Mode, when reset in the ACC OFF state (backup ON), MUTE will be OFF after two seconds. (The power for peripherals will not be turned OFF until the CD mechanism stops. This will take two seconds plus.)

● Forced clearing of DC offset detection

- Regardless of the Test Mode, when power is turned on by [SRC] key while depressing the following keys. This will be the forced clearing of DC Err condition in the EEPROM. This will clear the data in the EEPROM even in the case where there is no error data.
- Key Operation
Press the [SRC] key while pressing the [DISP] and [EQ] key at the same time.

ADJUSTMENT

BALANCE/FADER/BASS/TREBLE : CENTER

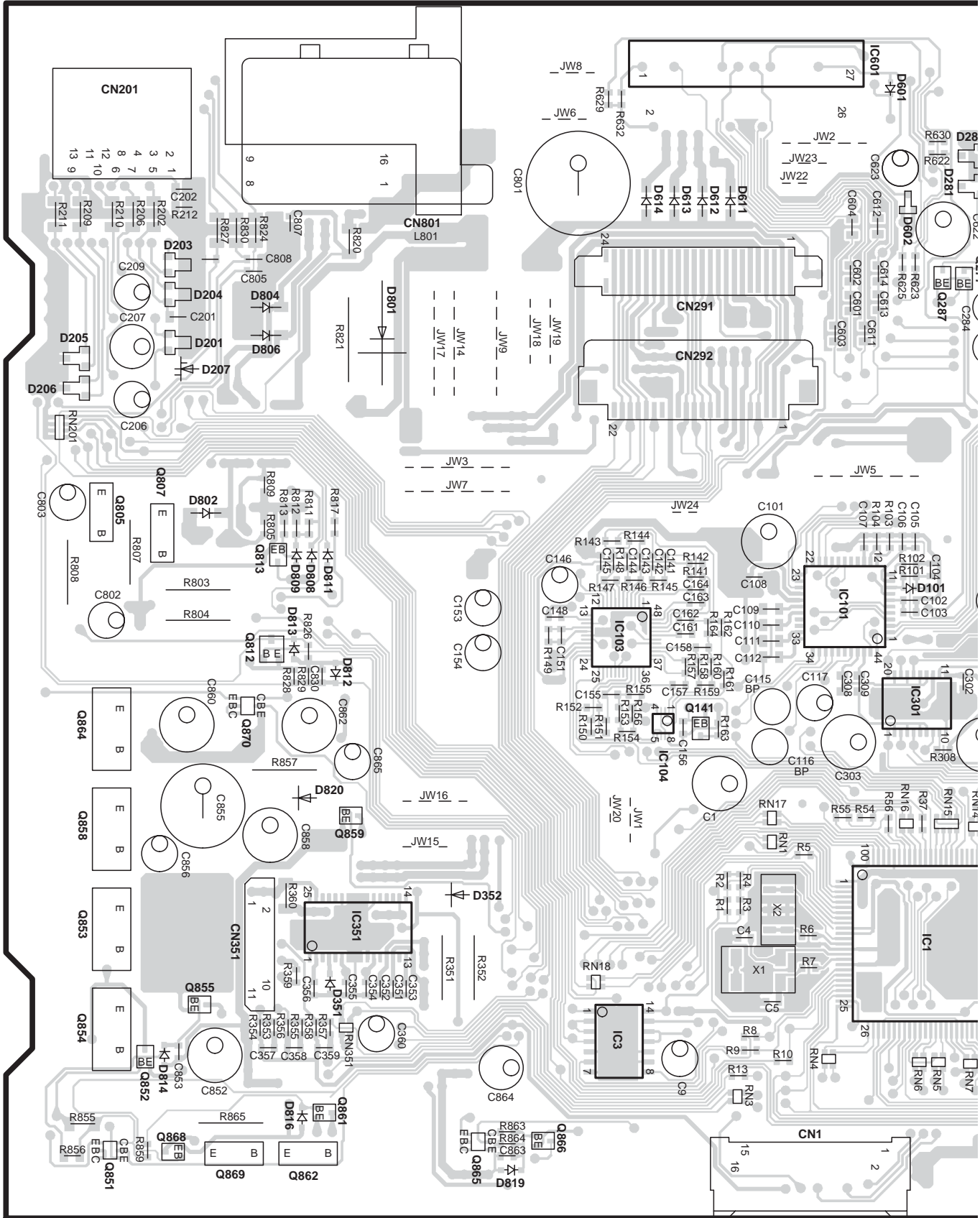
METAL/DOLBY NR : OFF

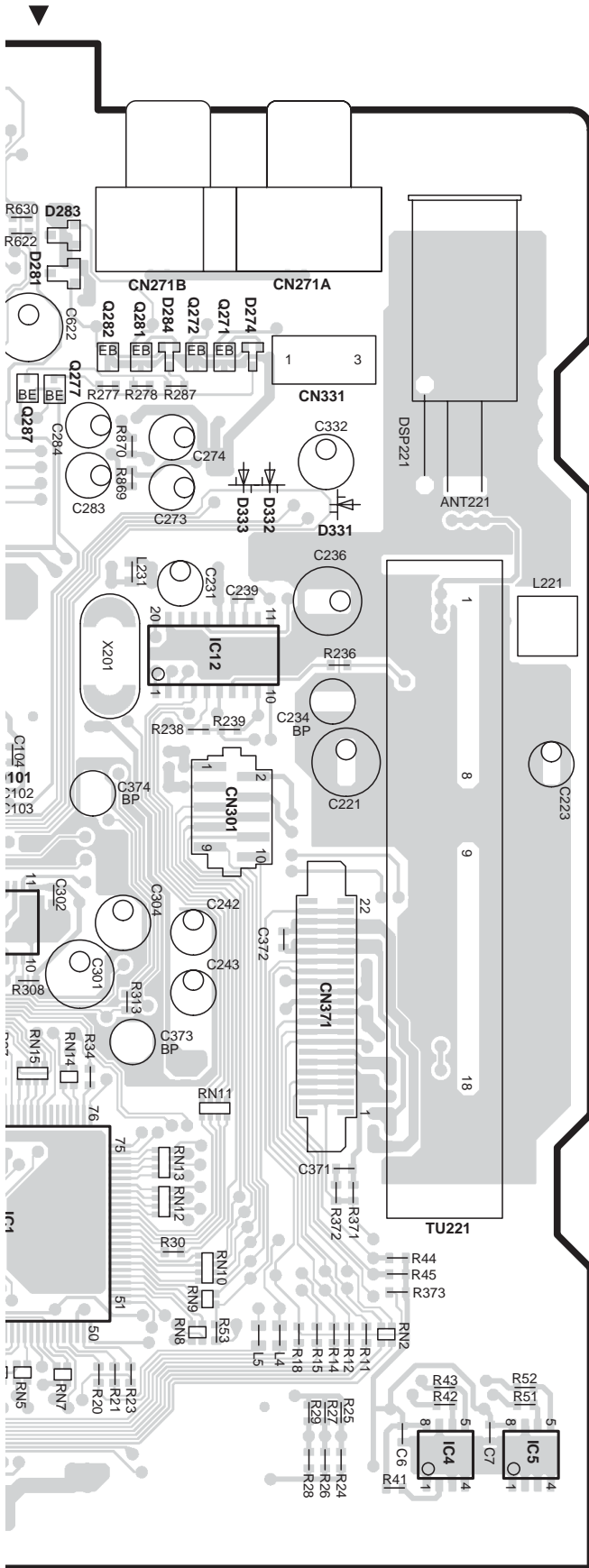
No.	ITEM	INPUT SETTINGS	OUTPUT SETTINGS	RECEIVER SETTINGS	ALIGNMENT POINTS	ALIGN FOR	FIG.
CASSETTE DECK SECTION							
1	DOLBY (PLAY BACK LEVEL)	TCC-130	(FOIL SIDE VIEW of MAIN UNIT) Connect an AC voltmeter between TAL (TP25) and TAG (GND), also between TAR (TP24) and TAG (GND).	TAPE PLAY	(EQUALIZER UNIT) VR250A (L) VR250B (R)	388mV	

DPX-MP4070/MP4070B

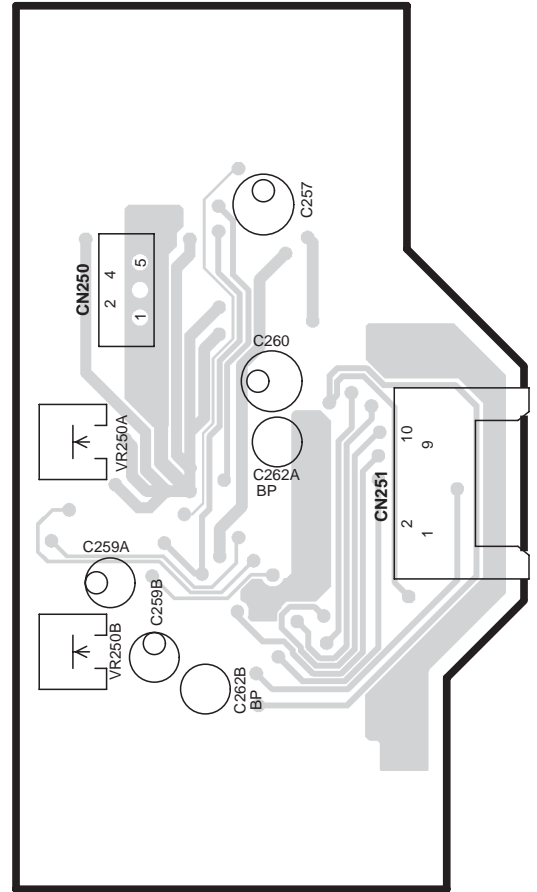
PC BOARD (COMPONENT SIDE VIEW)

MAIN UNIT





EQUALIZER UNIT



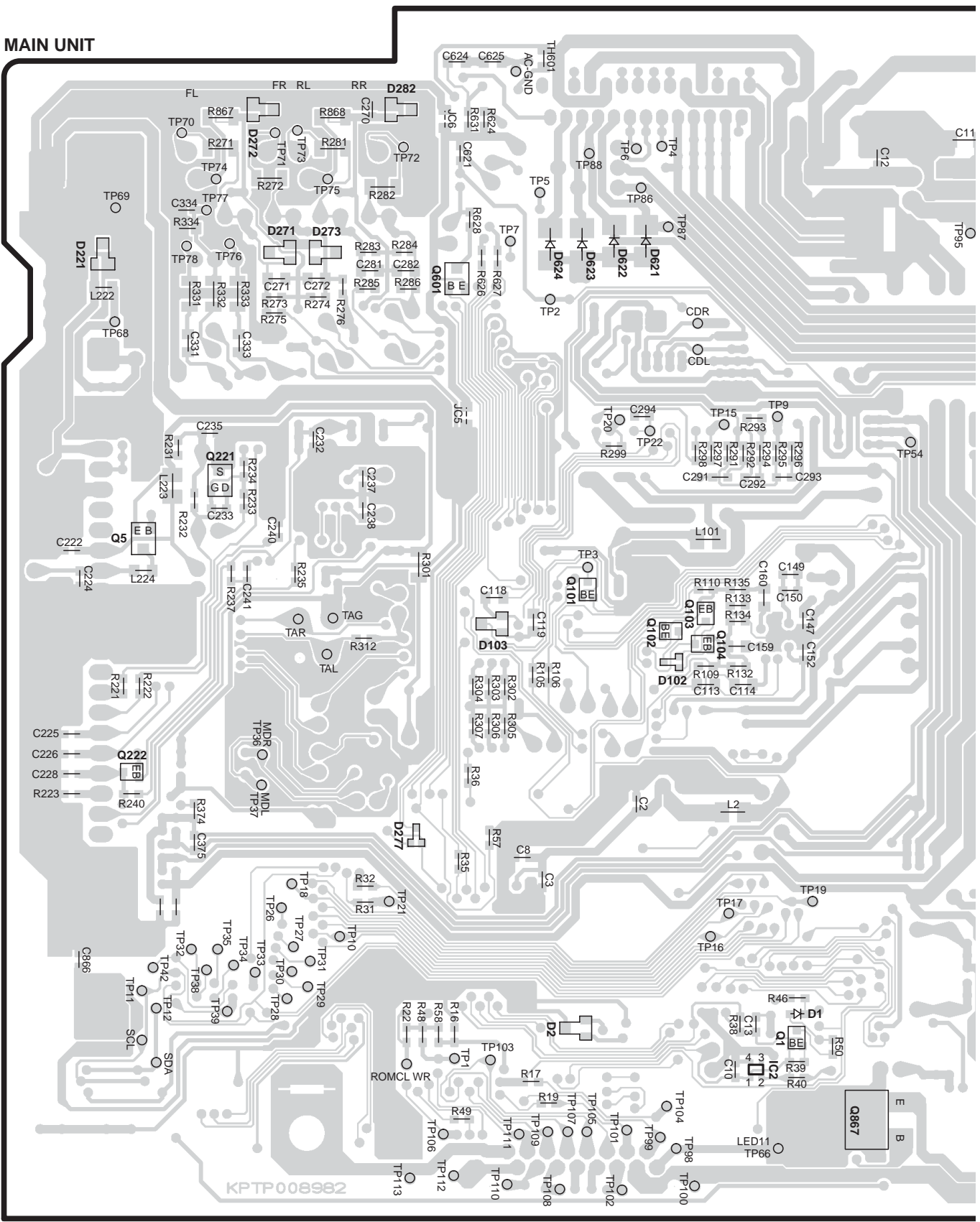
MAIN UNIT

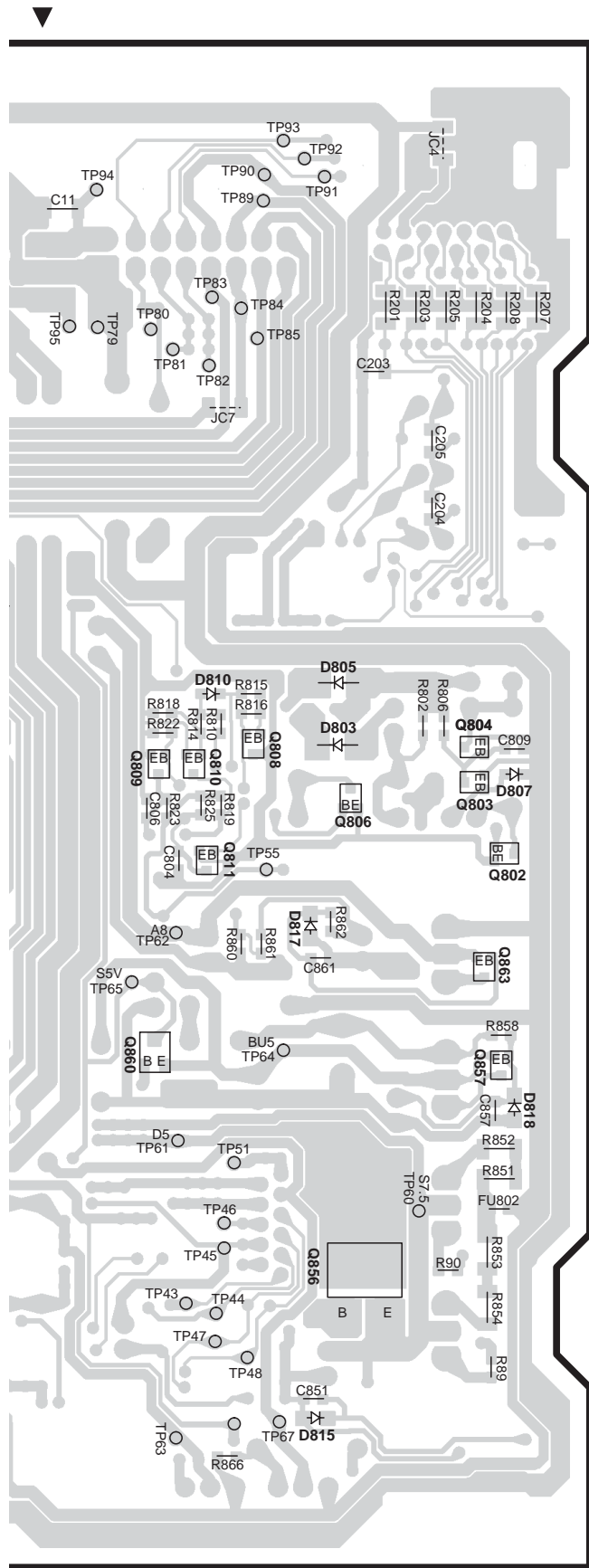
Ref. No.	Address	Ref. No.	Address
IC1	6E	Q807	4B
IC3	6D	Q812	4B
IC5	7G	Q813	4B
IC12	4F	Q851	7A
IC101	4E	Q852	6B
IC103	4D	Q853	6A
IC104	5D	Q854	6A
IC301	5E	Q855	6B
IC351	6C	Q858	5A
IC601	2E	Q859	5C
Q141	5D	Q861	6B
Q271	2F	Q862	7B
Q272	2F	Q864	5A
Q277	3F	Q865	7C
Q281	2F	Q866	7D
Q282	2F	Q868	7B
Q287	3E	Q869	7B
Q805	4A	Q870	5B

Refer to the schematic diagram for the values of resistors and capacitors.

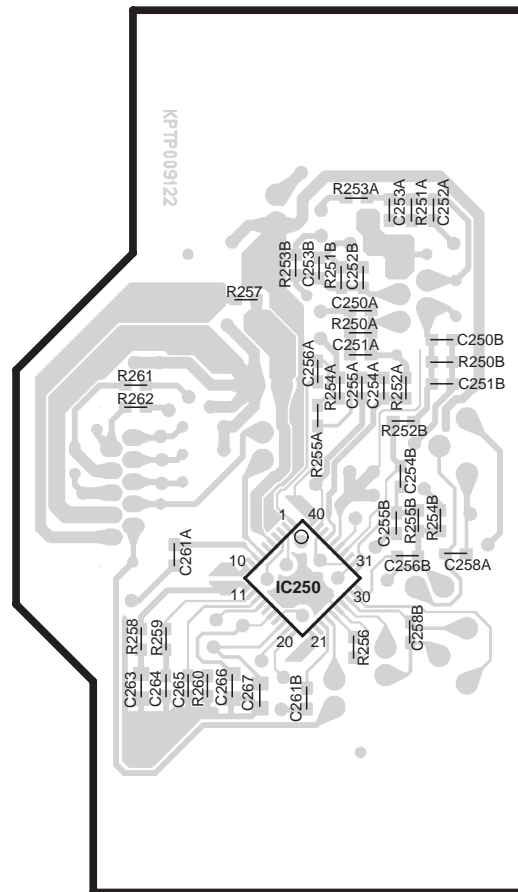
DPX-MP4070/MP4070B PC BOARD (FOIL SIDE VIEW)

MAIN UNIT





EQUALIZER UNIT



EQUALIZER UNIT

Ref. No.	Address
IC250	3S

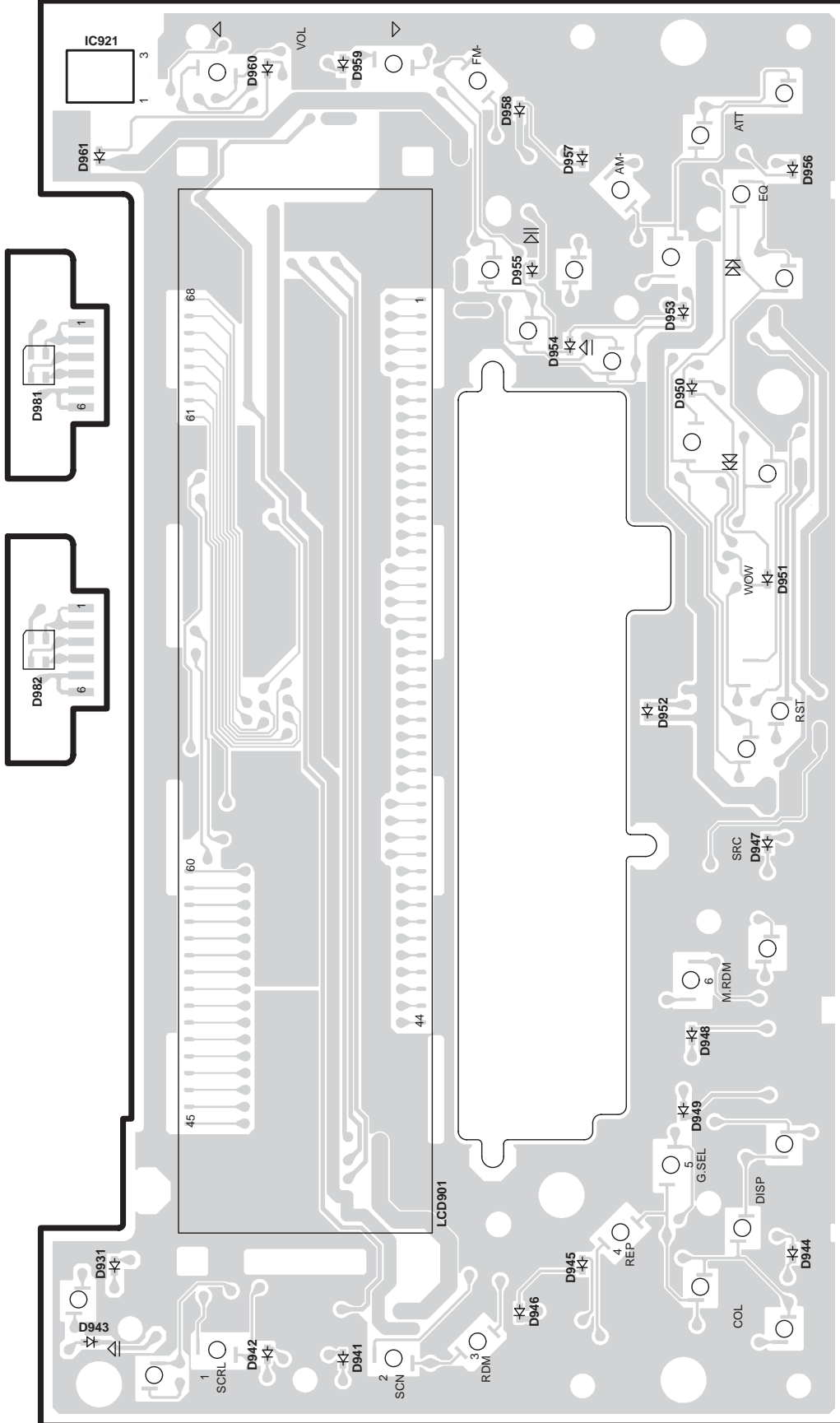
MAIN UNIT

Ref. No.	Address	Ref. No.	Address
IC2	60	Q808	4P
Q1	60	Q809	4P
Q5	4K	Q810	4P
Q101	4N	Q811	4P
Q221	3L	Q856	6Q
Q222	5K	Q857	5Q
Q802	4Q	Q860	5P
Q803	4Q	Q863	5Q
Q804	4Q	Q867	6O
Q806	4Q		

Refer to the schematic diagram for the values of resistors and capacitors.

DPX-MP4070/MP4070B PC BOARD (COMPONENT SIDE VIEW)

CONTROL UNIT



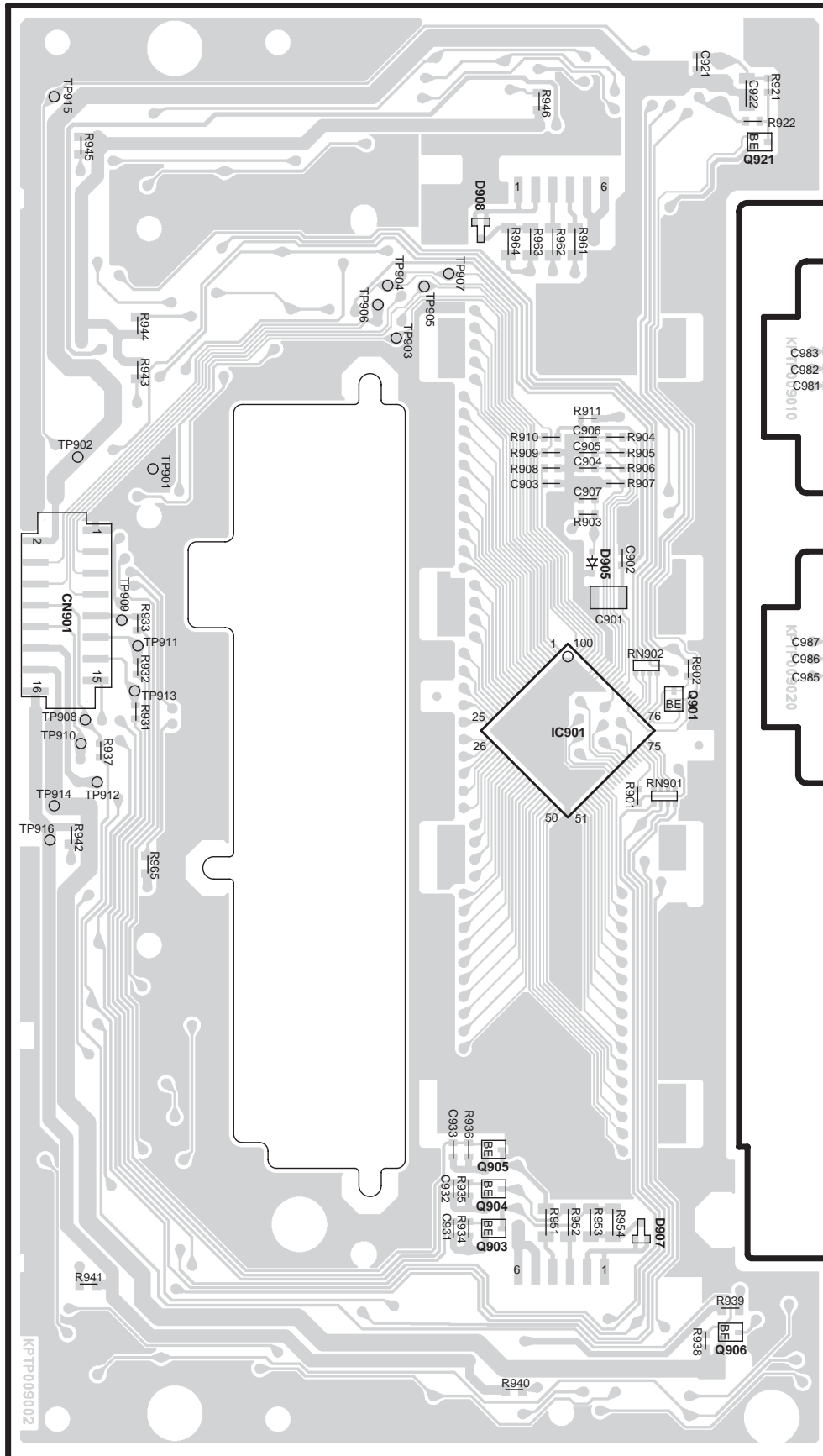
CONTROL UNIT

Ref. No.	Address
IC921	2U

Refer to the schematic diagram for the values of resistors and capacitors.

PC BOARD (FOIL SIDE VIEW)

CONTROL UNIT



CONTROL UNIT

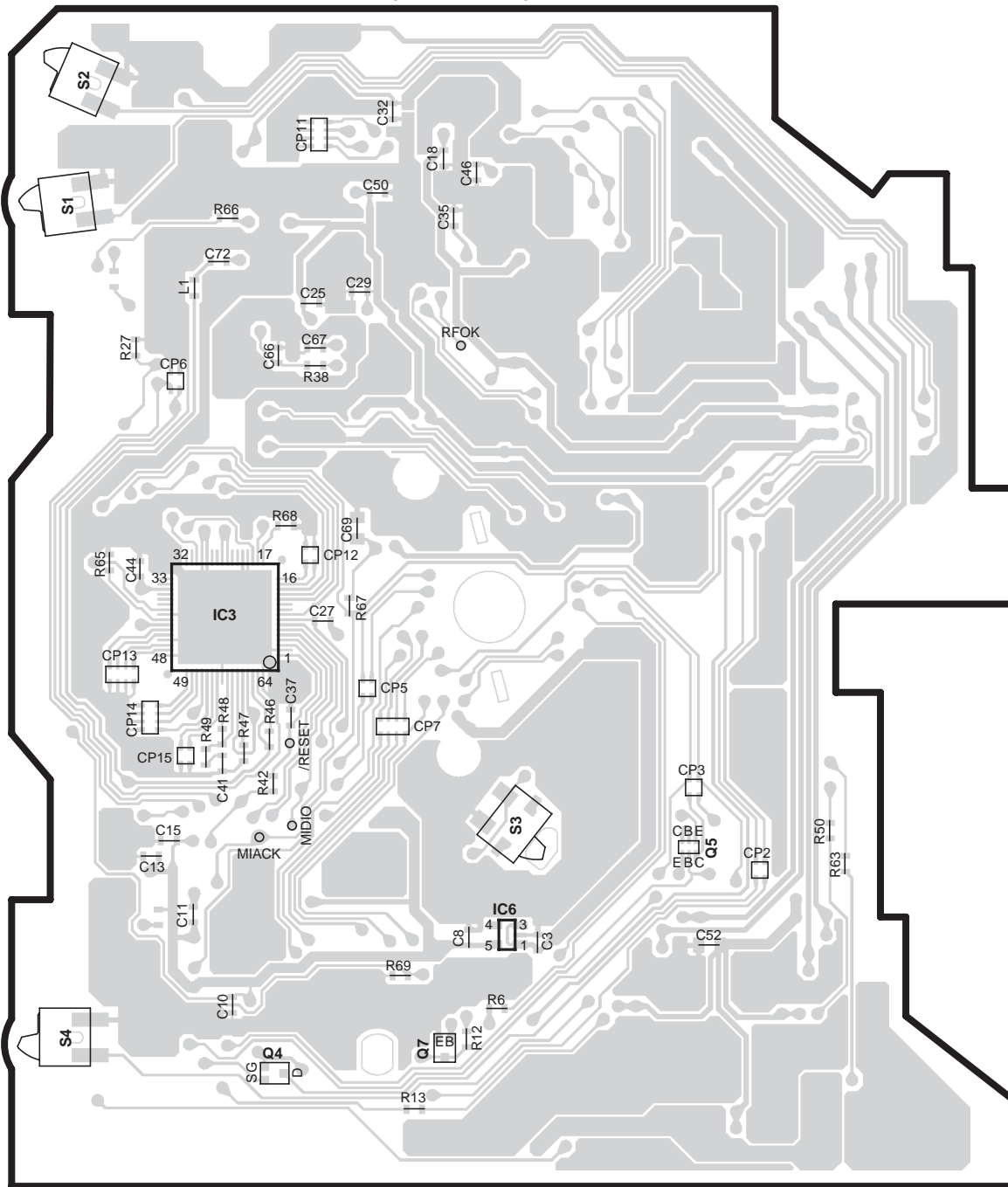
Ref. No.	Address
IC901	4AB
Q901	4AB
Q903	6AB
Q904	6AB
Q905	6AB
Q921	2AC

Refer to the schematic diagram for the values of resistors and capacitors.

DPX-MP4070/MP4070B

PC BOARD (COMPONENT SIDE VIEW)

CD PLAYER UNIT X32-5500-01 (J74-1552-12)



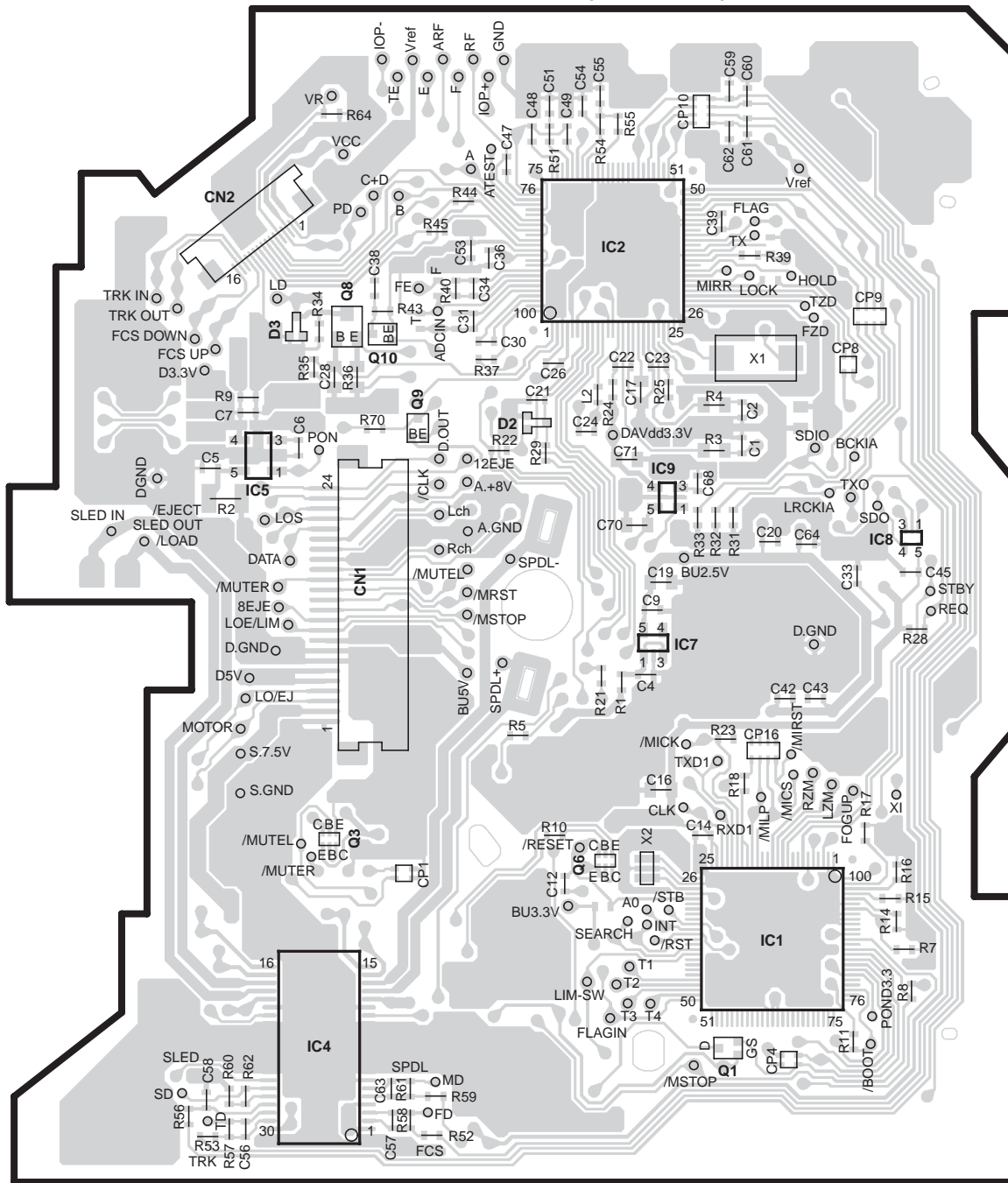
X32-5500-01

Ref. No.	Address
IC3	4AF
IC6	5AG
Q4	5AF
Q5	5AH
Q7	5AG

Refer to the schematic diagram for the values of resistors and capacitors.

PC BOARD (FOIL SIDE VIEW)

CD PLAYER UNIT X32-5500-01 (J74-1552-12)

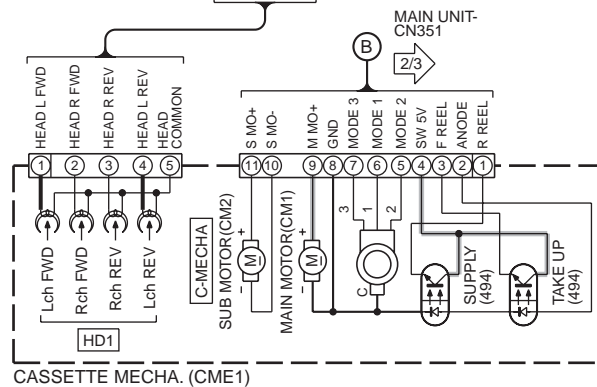
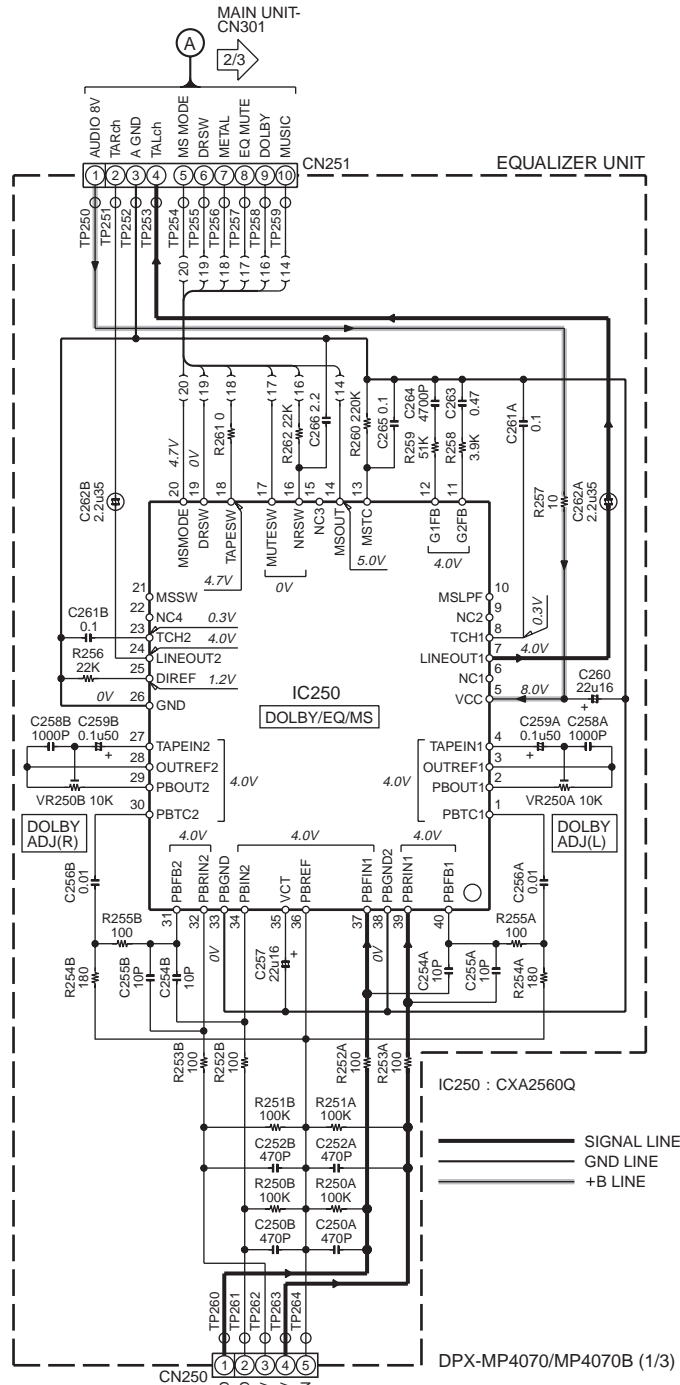


X32-5500-01

Ref. No.	Address	Ref. No.	Address
IC1	5AM	Q1	5AM
IC2	2AL	Q3	5AK
IC4	5AK	Q6	5AL
IC5	3AK	Q8	2AK
IC7	4AL	Q9	3AK
IC8	3AM	Q10	3AK
IC9	3AL		

Refer to the schematic diagram for the values of resistors and capacitors.

DPX-MP4070/MP4070B



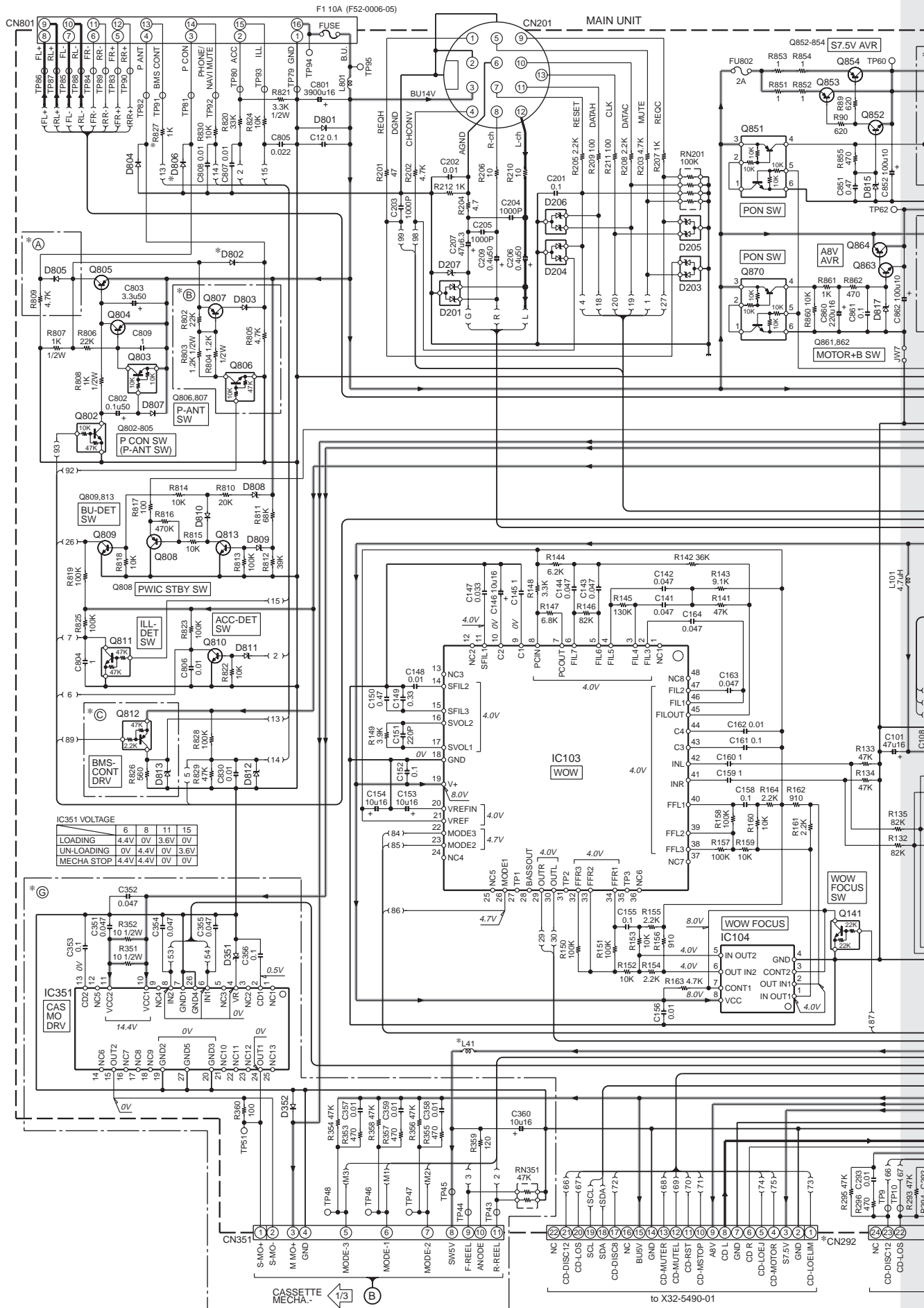
CAUTION : For continued safety, replace safety critical components only with manufacturer's recommended parts (refer to parts list).

⚠ Indicates safety critical components. To reduce the risk of electric shock, leakage-current or resistance measurements shall be carried out (exposed parts are acceptably insulated from the supply circuit) before the appliance is returned to the customer.

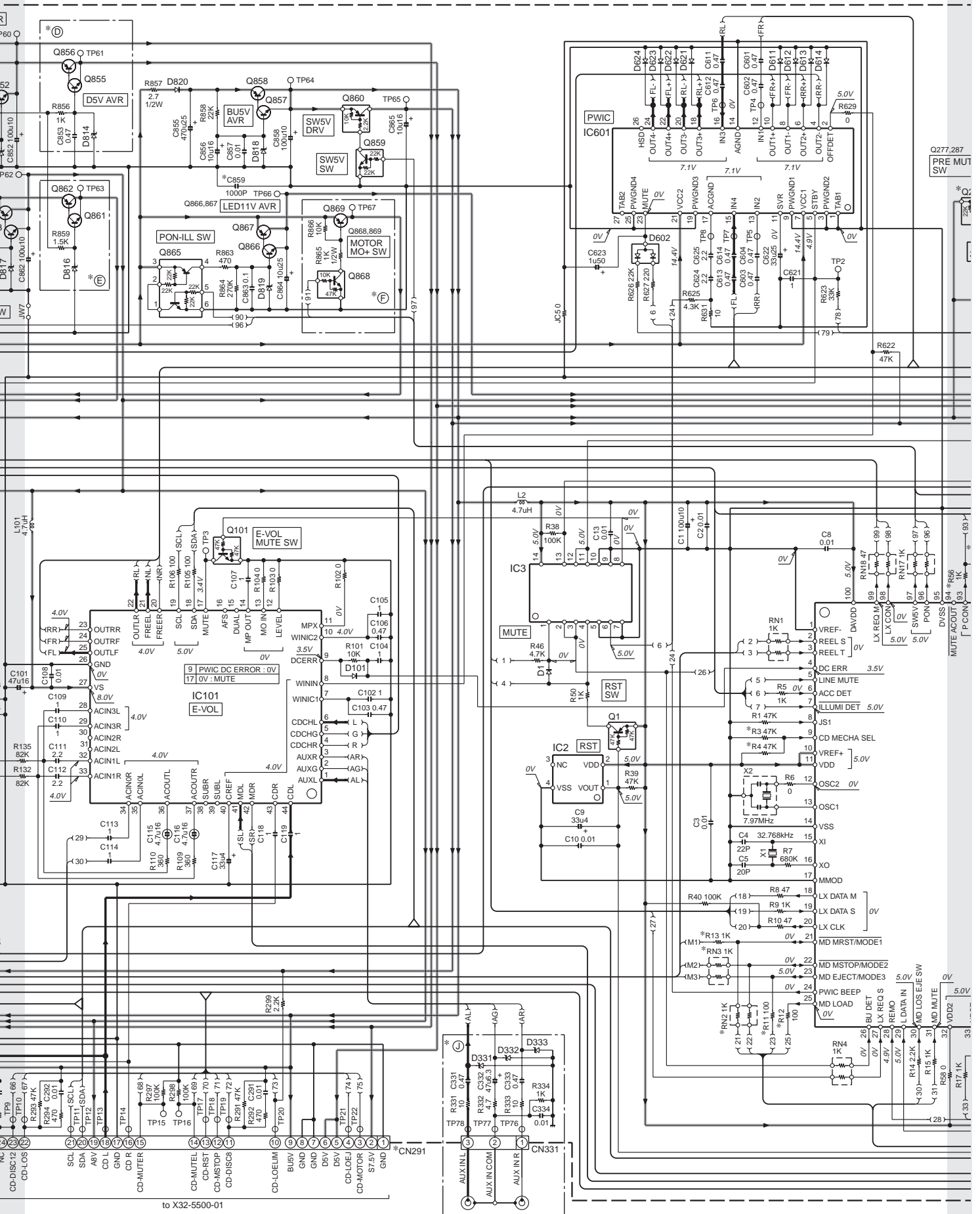
- DC voltages are as measured with a high impedance voltmeter. Values may vary slightly due to variations between individual instruments or/and units.

DPX-MP4070/MP4070B

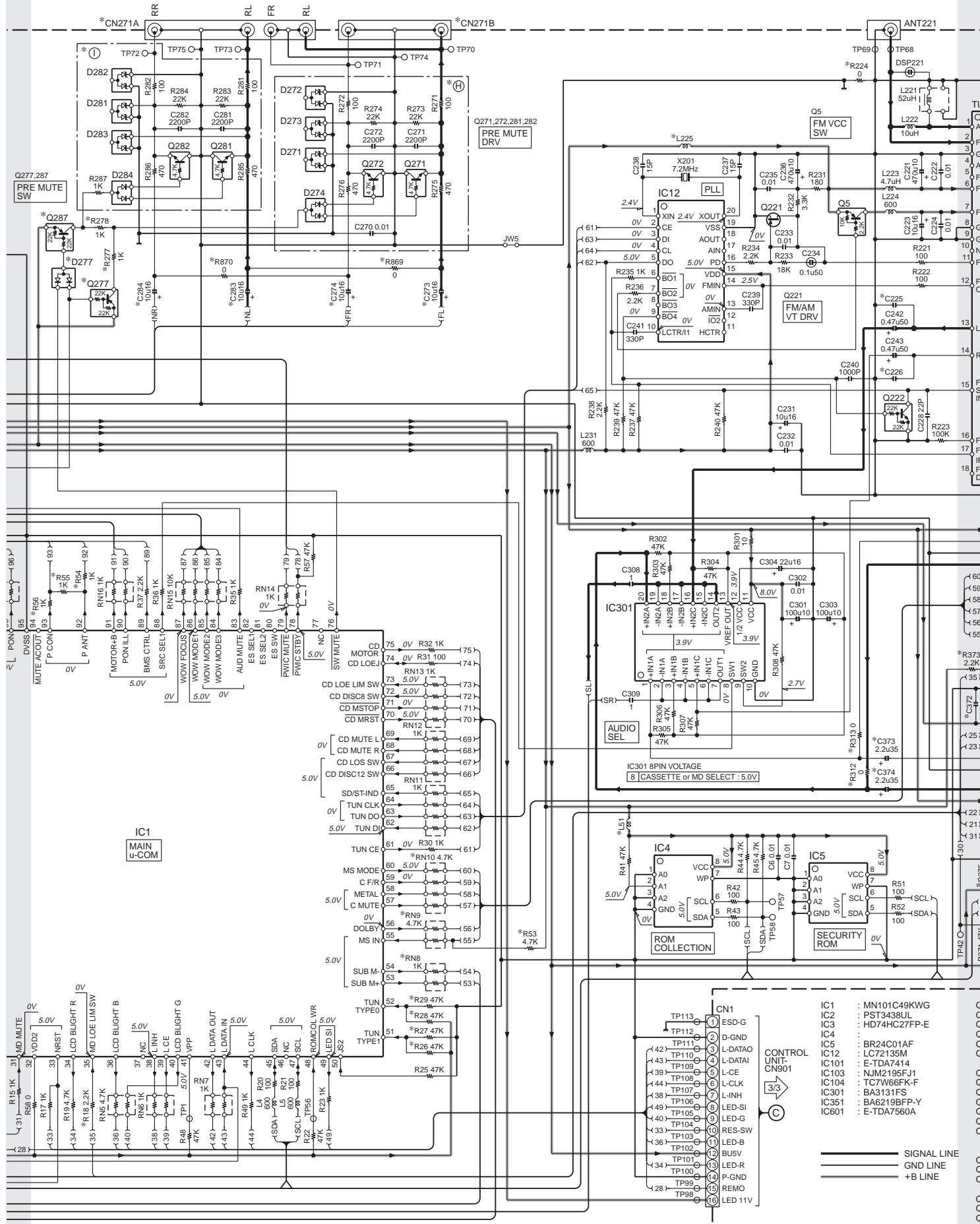
1
2
3
4
5
6
7



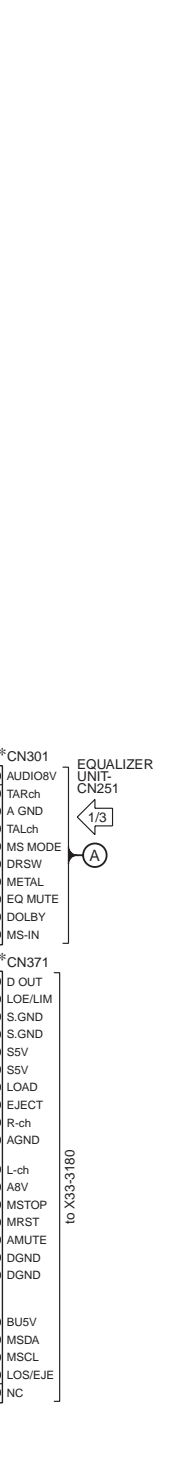
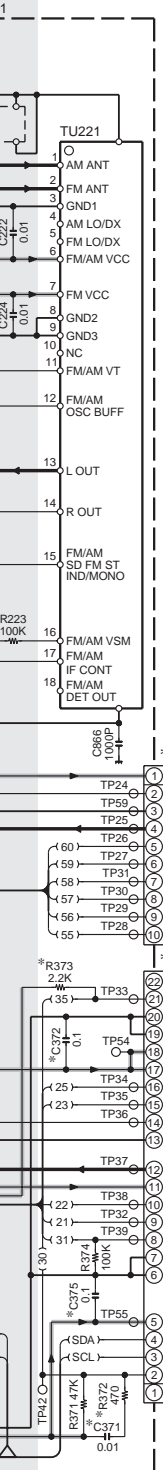
DPX-MP4070/MP4070B



to X32-5500-01



DPX-MP4070/MP4070B



MODEL NAME	DESTI-NATION	(A)	(B)	(C)	(D)	(E)	(F)	(G)	(H)	(I)	(J)	(K)	(L)	(M)	(N)	(O)	(P)	(Q)	(R)	(S)	(T)	(U)	(V)	(W)	(X)	(Y)	(Z)
DPX-05MD	J	YES	NO	NO	NO	NO	NO	NO	NO	NO	NO	NO	NO	NO	NO	NO	NO	NO	NO	NO	NO	NO	NO	NO	NO	NO	NO
DPX-05MDB	J	NO	NO	NO	NO	NO	NO	NO	NO	NO	NO	NO	NO	NO	NO	NO	NO	NO	NO	NO	NO	NO	NO	NO	NO	NO	NO
DPX-3070	M	YES	NO	NO	NO	NO	NO	NO	NO	NO	NO	NO	NO	NO	NO	NO	NO	NO	NO	NO	NO	NO	NO	NO	NO	NO	NO
DPX-3070B	M	YES	NO	NO	NO	NO	NO	NO	NO	NO	NO	NO	NO	NO	NO	NO	NO	NO	NO	NO	NO	NO	NO	NO	NO	NO	NO
DPX-MP4070	K	YES	YES	YES	YES	YES	YES	YES	YES	YES	YES	YES	YES	YES	YES	YES	YES	YES	YES	YES	YES	YES	YES	YES	YES	YES	YES
DPX-MP4070B	M	YES	YES	YES	YES	YES	YES	YES	YES	YES	YES	YES	YES	YES	YES	YES	YES	YES	YES	YES	YES	YES	YES	YES	YES	YES	YES

- Q1 : DAT144EUA
- Q5,860 : DTB123YK
- Q101,811 : DTC144EUA
- Q141,222,859 : DTC124EUA
- Q221 : 2SK536
- Q271,272,281,282 : DTC143TUA
- Q277,287 : DTA124EUA
- Q802 : DTC114YUA
- Q803 : DTA114EUA
- Q804,808 : 2SA1576A
- Q805,807 : 2SB1277(Q,R)
- Q806,808 : DTC114YUA
- Q809,810,813,852,855,857,861,863,866 : 2SC4081
- Q812 : DTA123JK
- Q851,870 : IMD3AL
- Q853,854,858,864 : 2SB1548(P)
- Q856,867 : 2SB1184
- Q862,869 : 2SA1703(R,S,T)
- Q865 : IMD2A

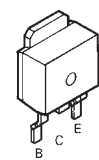
- D1,101,807,810 : 1SS400
- D201,203-206,271-273,281-283 : HZM6.2ZWA
- D207,331-333 : MTZJ6.8B
- D274,277,284,602 : DAP202U
- D351 : MAZ80390LL
- D352 : 1SR139-400
- D611-614,621-624,802-806 : 1SR154-400
- D801 : RM102
- D805,809,811 : MA8068-M
- D812-814,818 : MA8056-M
- D815 : MA8082-L
- D816 : MAZ82200LL
- D817 : MA8082-H
- D819 : MA8120-L
- D820 : SB040
- DSP221 : DSP-201M-S00B

DPX-MP4070/MP4070B (2/3)

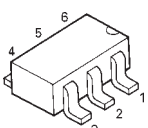
- DTA123JK
- DTA144EUA
- DTB123YK
- DTC114YUA
- DTC143TUA
- 2SA1576A



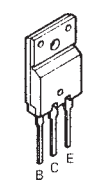
2SB1184



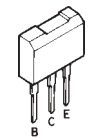
IMD2A



2SB1548

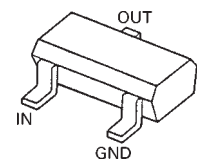


2SB1277

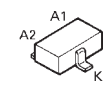


2SC4081

- DTA114EUA
- DTA124EUA
- DTC124EUA
- DTC144EUA



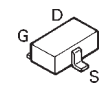
DAN202U



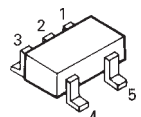
DAP202U



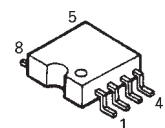
2SK536



TC7SH08FU



BR24C01AF



CAUTION : For continued safety, replace safety critical components with manufacturer's recommended parts (refer to parts list).
 ▲ Indicates safety critical components. To reduce the risk of electric shock, leakage-current or resistance measurements shall be carried out (exposed parts are acceptably insulated from the supply circuit) before the appliance is returned to the customer.

- DC voltages are as measured with a high impedance voltmeter. Values may vary slightly due to variations between individual instruments or/and units.

DPX-MP4070/MP4070B

1

2

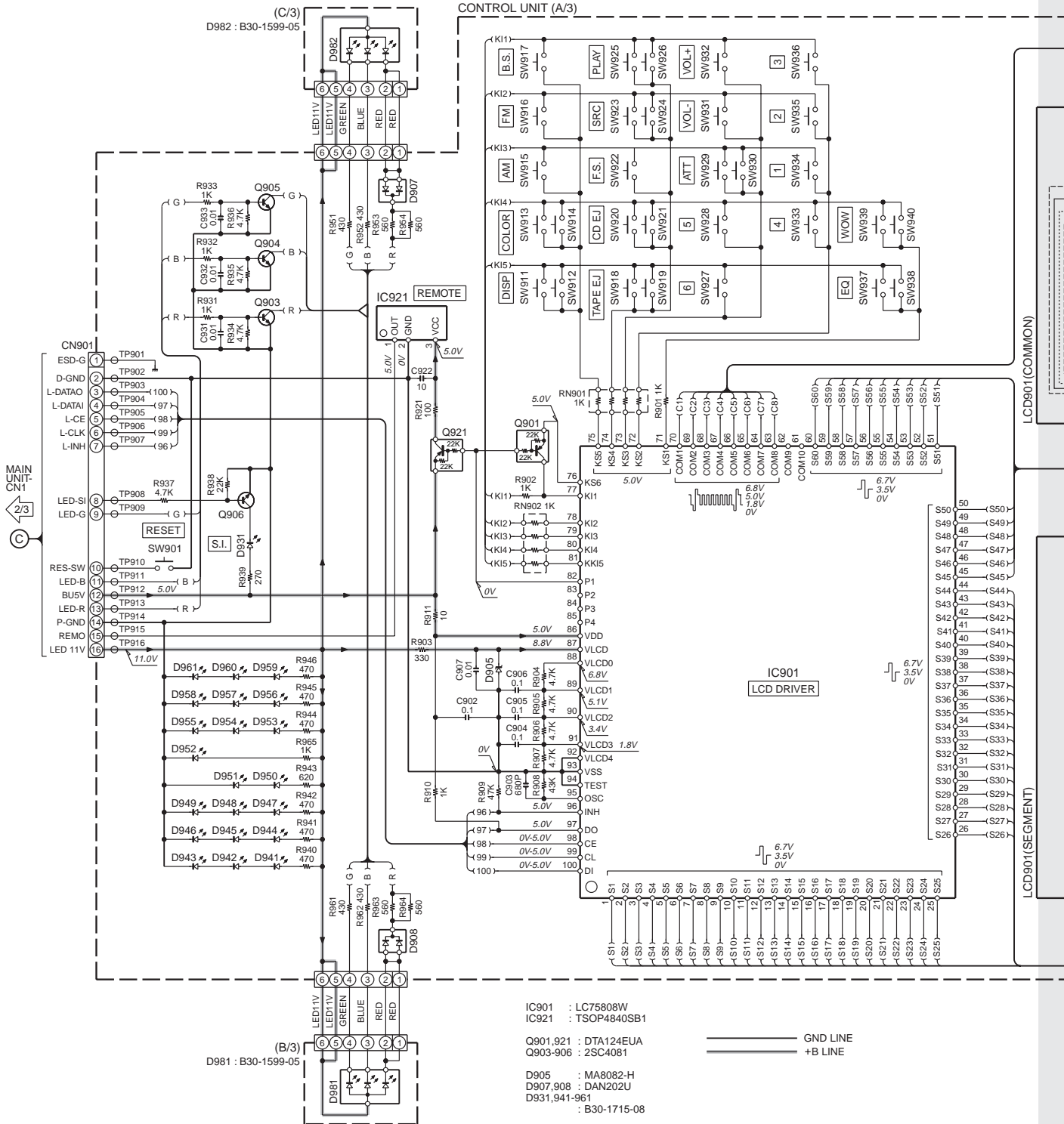
3

4

5

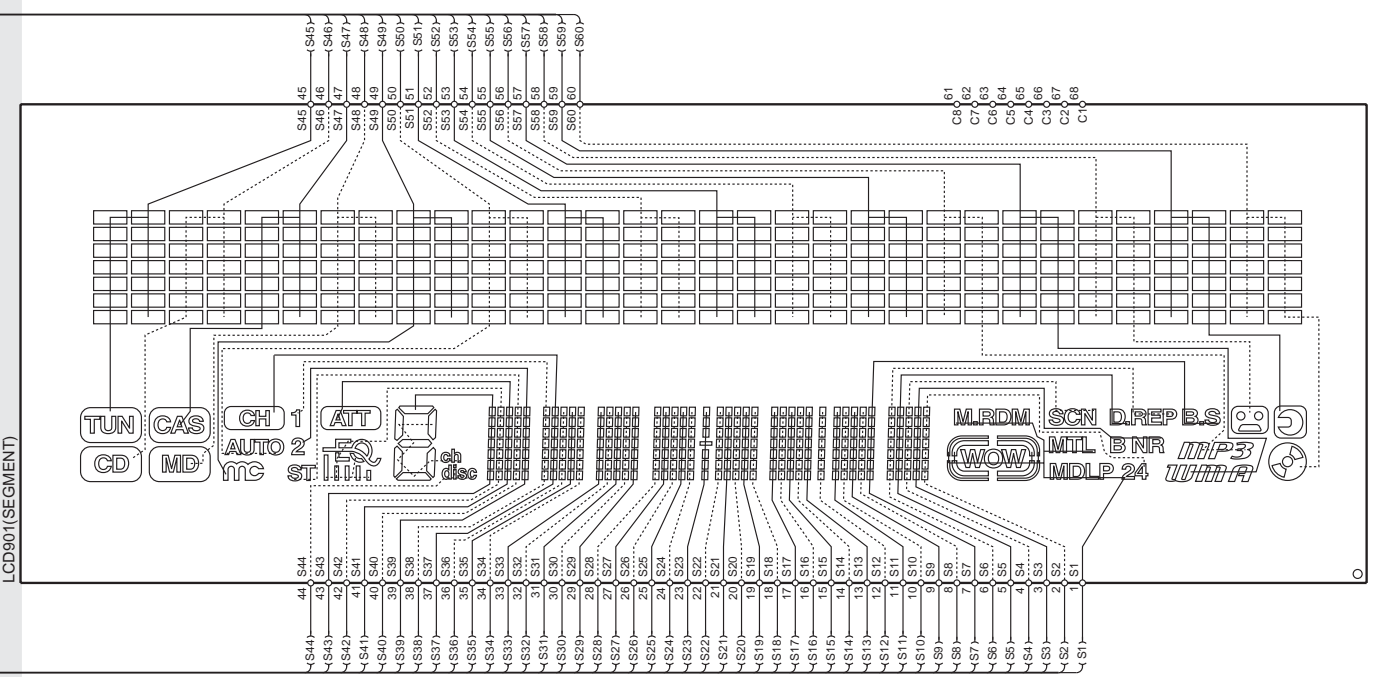
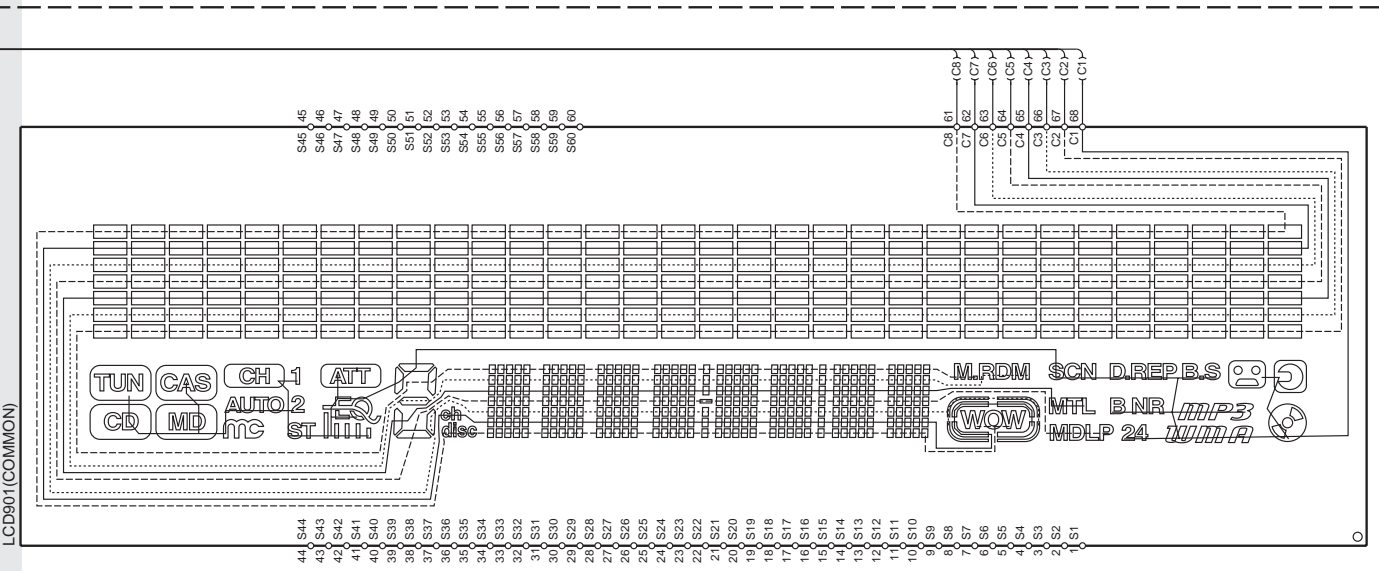
6

7



DPX-MP4070/MP4070B

1
2
3
4
5
6
7



DPX-MP4070/MP4070B (3/3)

CAUTION : For continued safety, replace safety critical components only with manufacturer's recommended parts (refer to parts list).

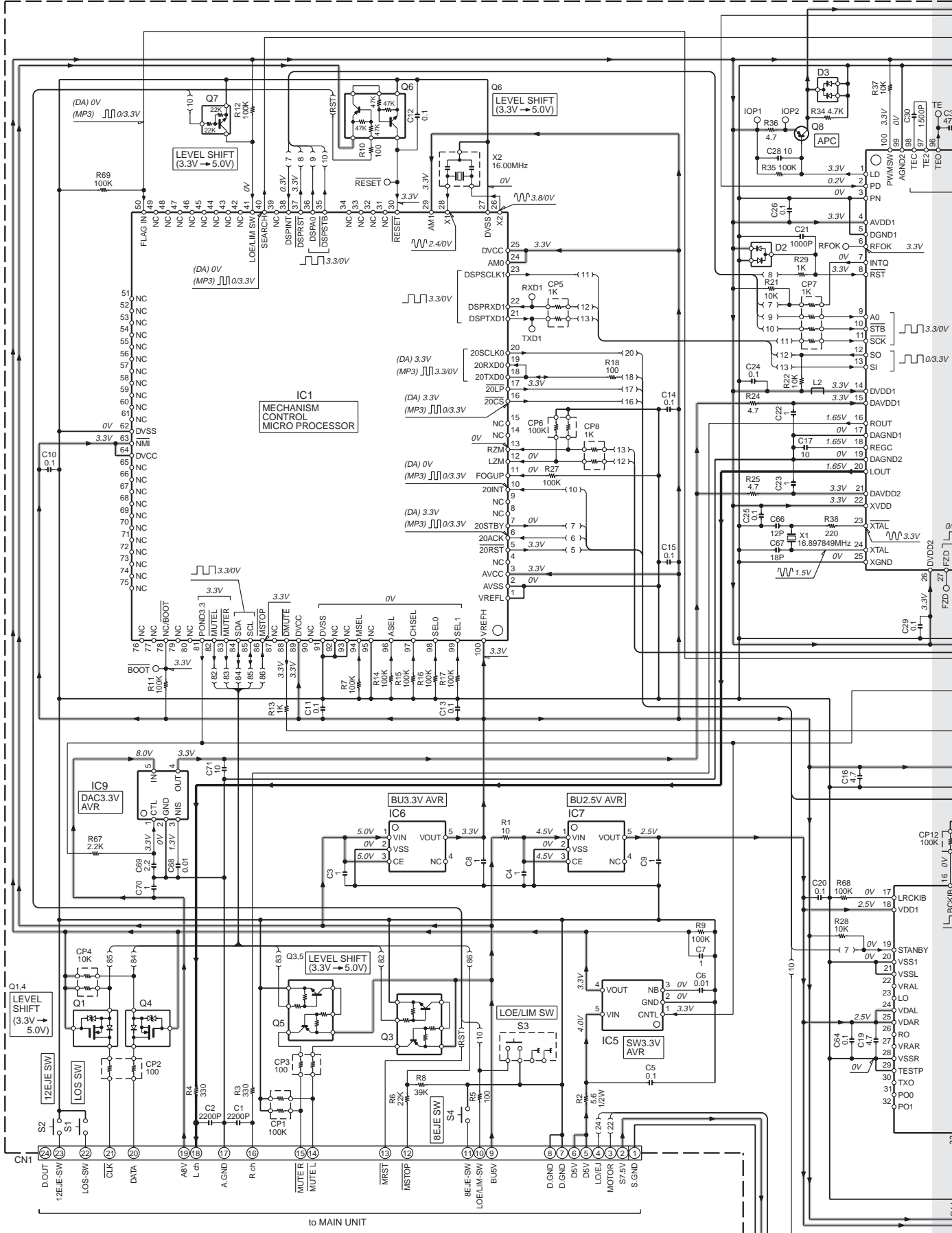
⚠ Indicates safety critical components. To reduce the risk of electric shock, leakage-current or resistance measurements shall be carried out (exposed parts are acceptably insulated from the supply circuit) before the appliance is returned to the customer.

- DC voltages are as measured with a high impedance voltmeter. Values may vary slightly due to variations between individual instruments or/and units.

DPX-MP4070/MP4070B

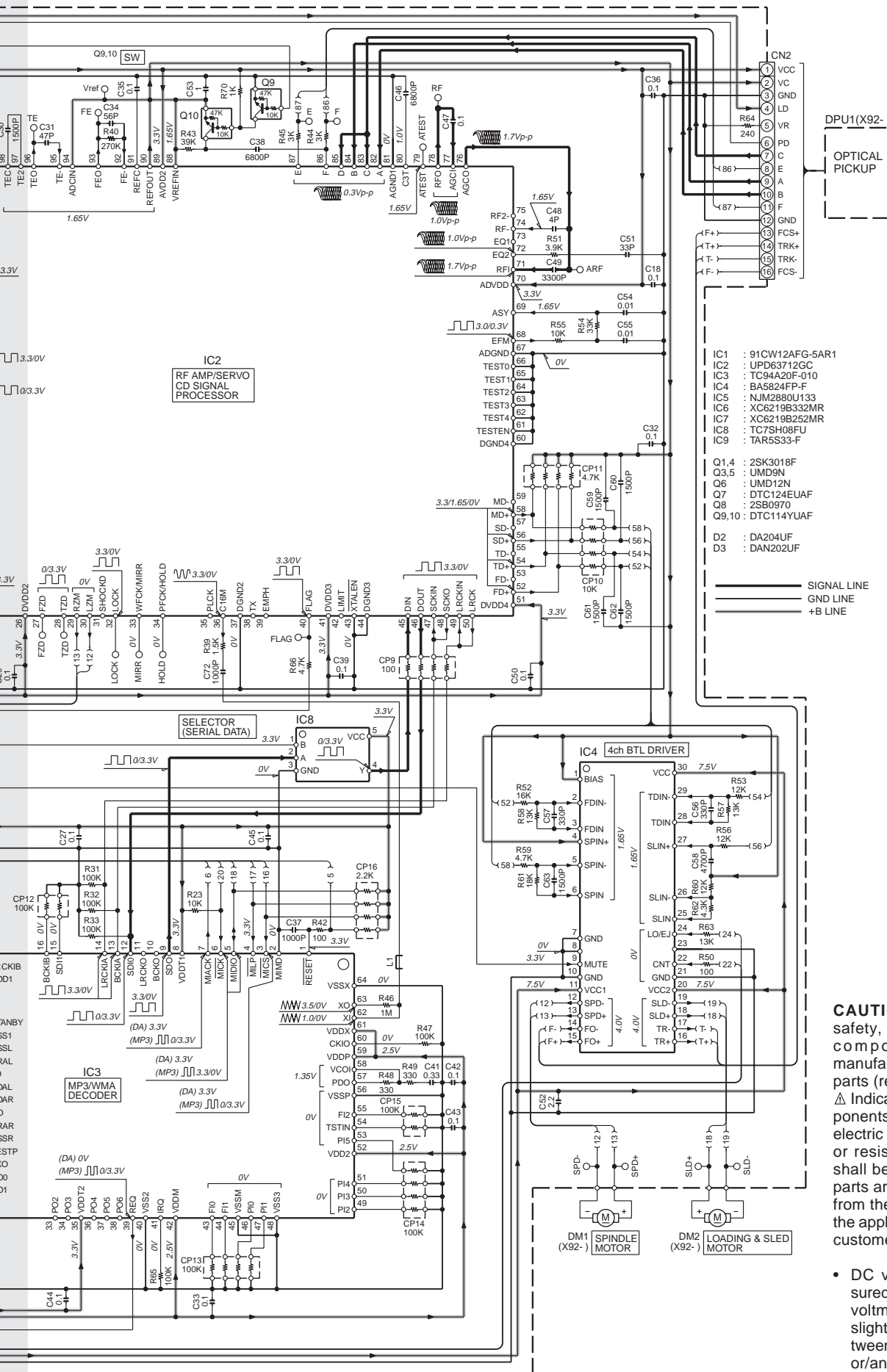
CD PLAYER UNIT (X32-5500-01)

1
2
3
4
5
6
7



to MAIN UNIT

DPX-MP4070/MP4070B



- IC1 : 91CW12AFG-5AR1
- IC2 : UPD63712GC
- IC3 : TC34A20F-010
- IC4 : BA5824FP-F
- IC5 : NJM2880U133
- IC6 : XC6219B332MR
- IC7 : XC6219B252MR
- IC8 : TC7SH08FU
- IC9 : TAR5S33-F
- Q1,4 : 2SK3018F
- Q3,5 : UMD9N
- Q6 : UMD12N
- Q7 : DTC124EUAF
- Q8 : 2SB0970
- Q9,10 : DTC114YUAF
- D2 : DA204UF
- D3 : DAN202UF

CAUTION : For continued safety, replace safety critical components only with manufacturer's recommended parts (refer to parts list).

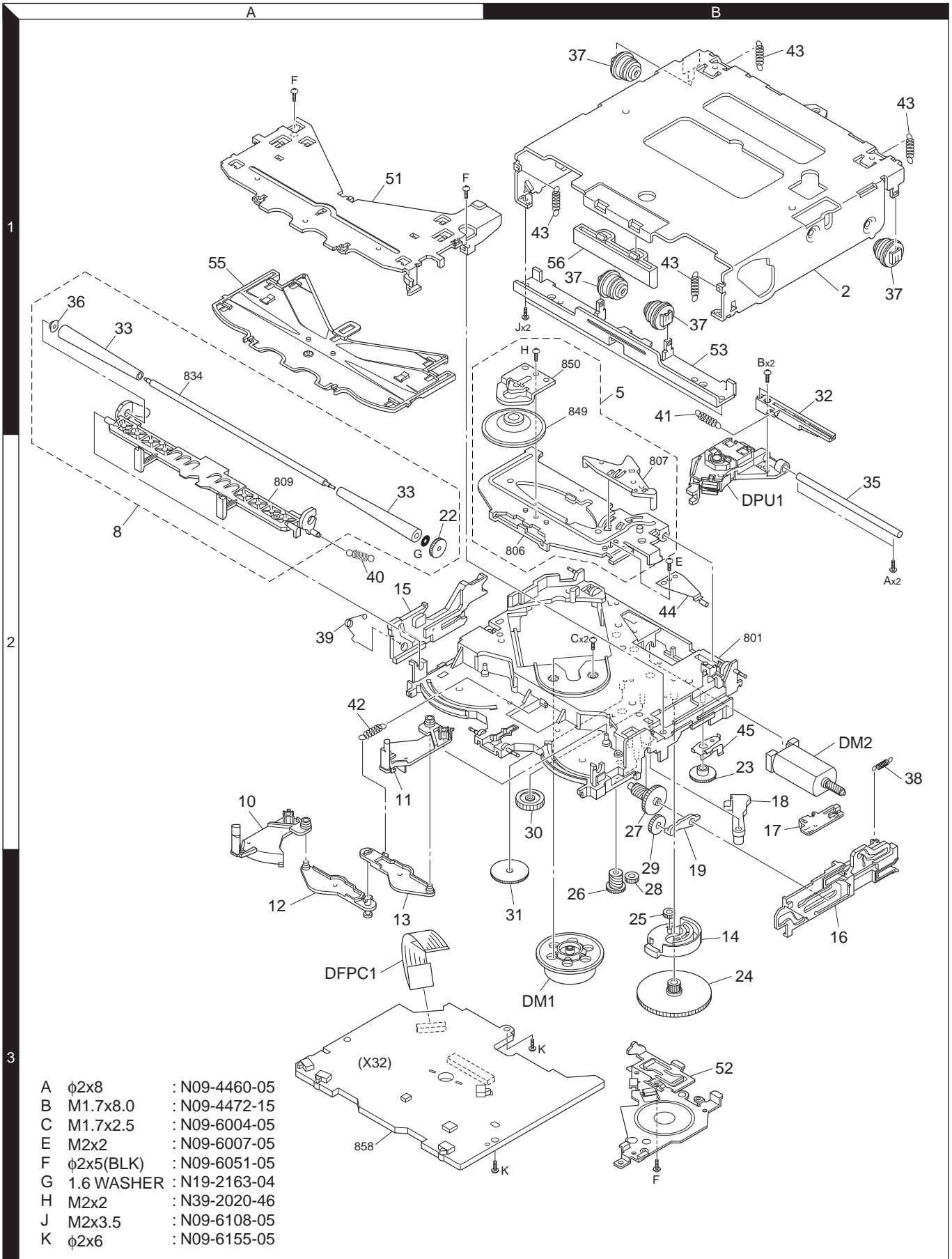
⚠ Indicates safety critical components. To reduce the risk of electric shock, leakage-current or resistance measurements shall be carried out (exposed parts are acceptably insulated from the supply circuit) before the appliance is returned to the customer.

- DC voltages are as measured with a high impedance voltmeter. Values may vary slightly due to variations between individual instruments or/and units.

1
2
3
4
5
6
7

DPX-MP4070/MP4070B

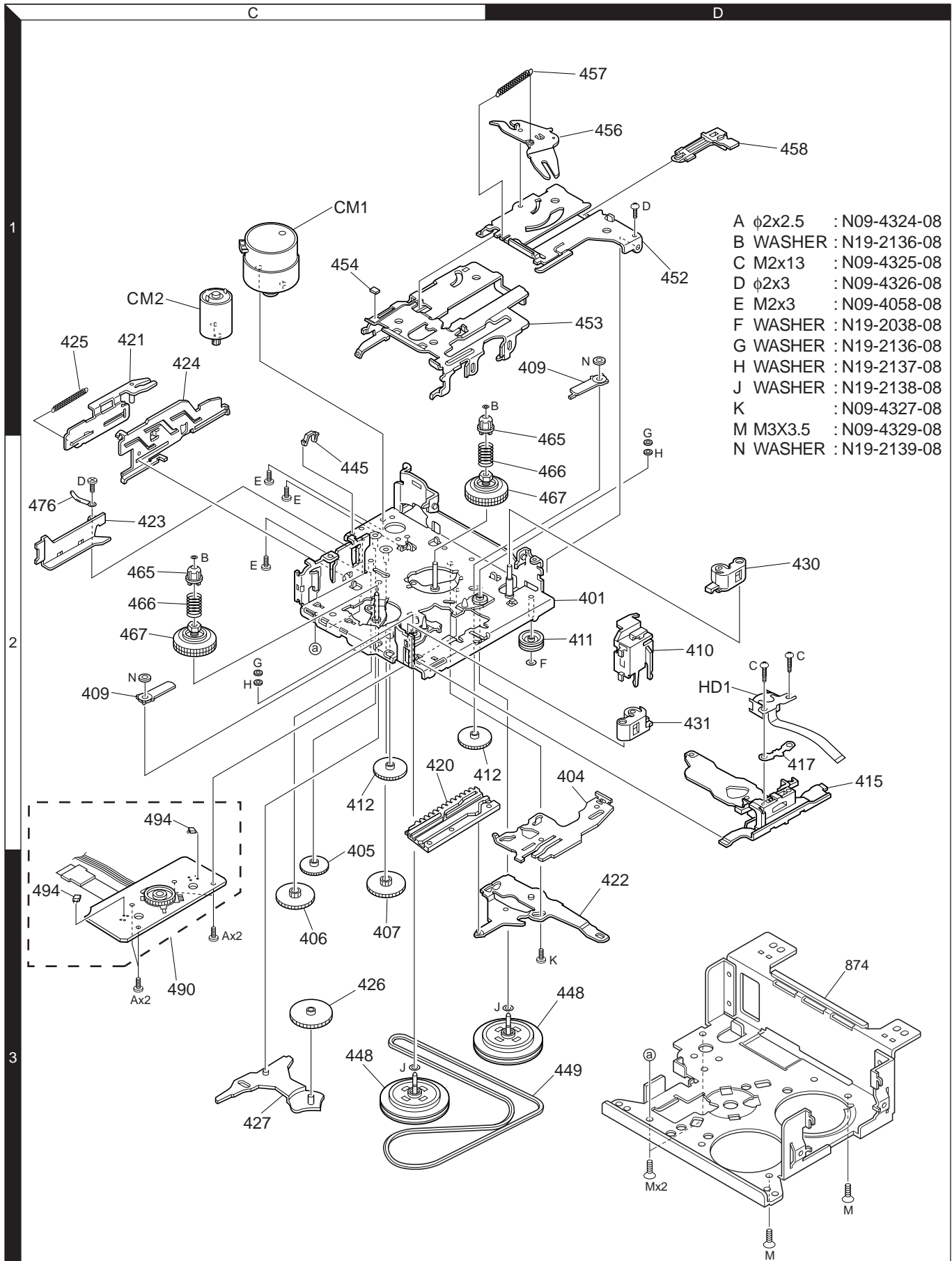
EXPLODED VIEW (CD MECHANISM)



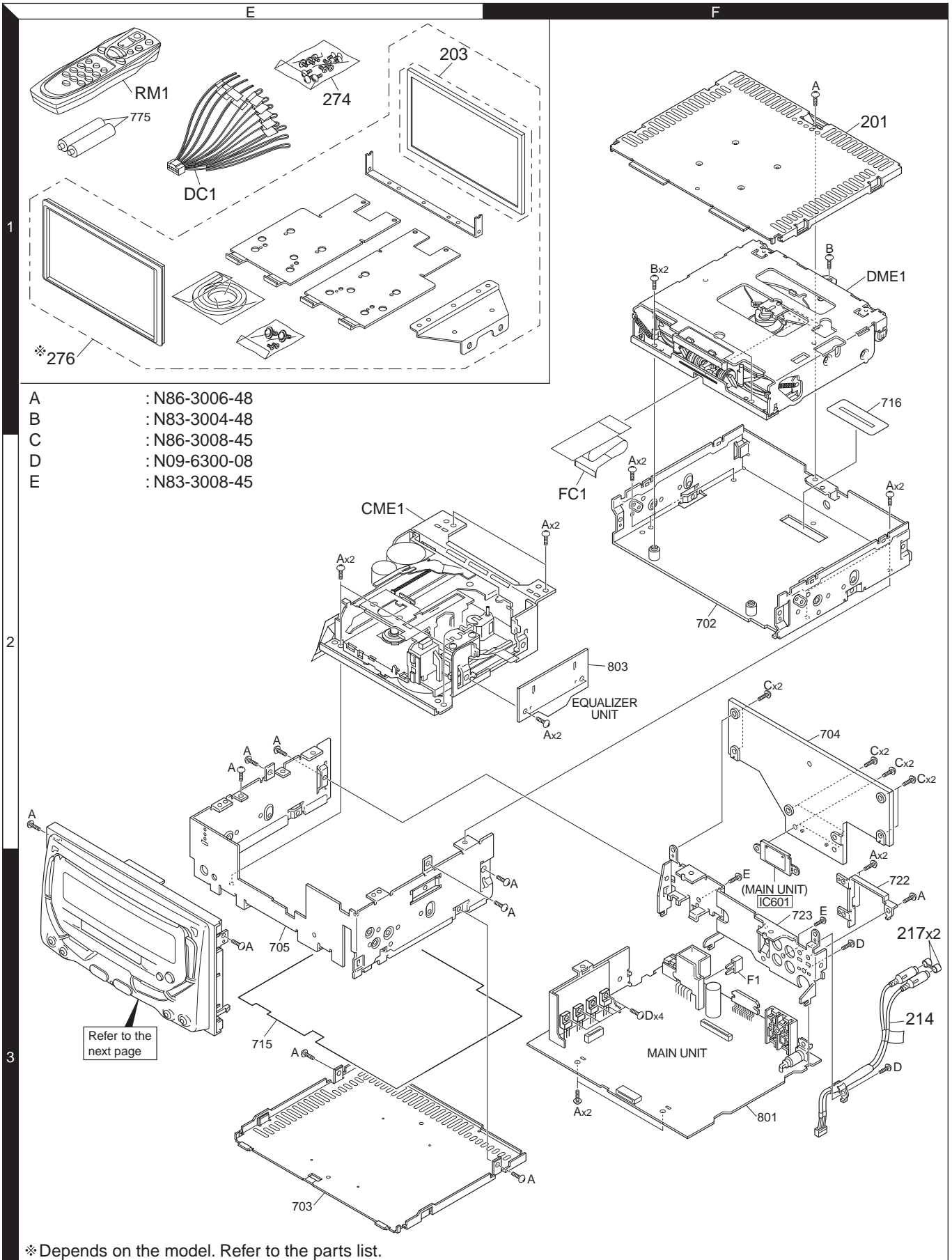
Parts with the exploded numbers larger than 700 are not supplied.

DPX-MP4070/MP4070B

EXPLODED VIEW (CASSETTE MECHANISM)



EXPLODED VIEW (UNIT)

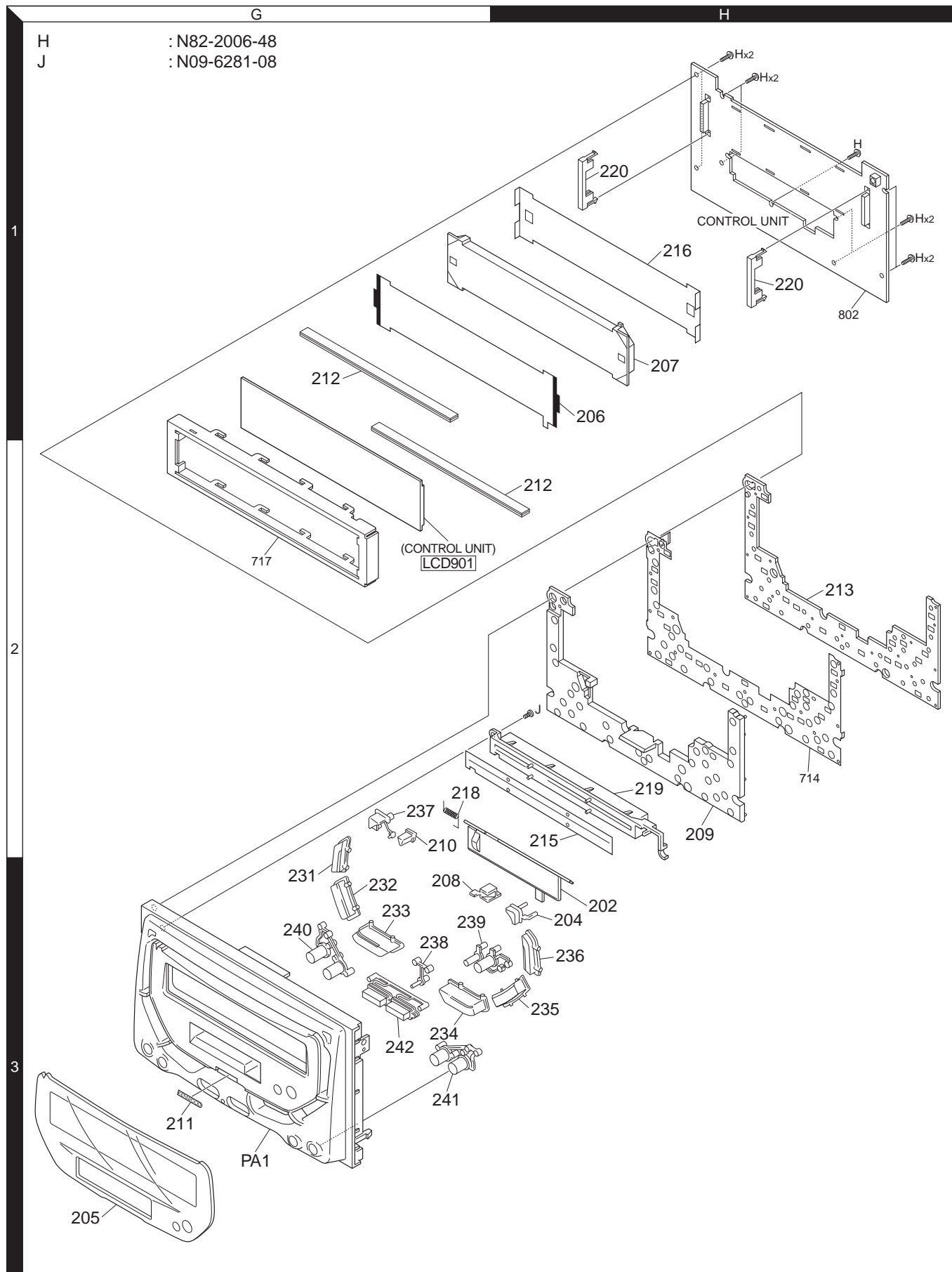


- A : N86-3006-48
- B : N83-3004-48
- C : N86-3008-45
- D : N09-6300-08
- E : N83-3008-45

Parts with the exploded numbers larger than 700 are not supplied.

DPX-MP4070/MP4070B

EXPLODED VIEW (PANEL)



PARTS LIST

* New parts

Parts without **Parts No.** are not supplied.

Les articles non mentionnés dans le **Parts No.** ne sont pas fournis.

Teile ohne **Parts No.** werden nicht geliefert.

Ref. No.	Ad	New	Parts No.	Description	Destination	
DPX-MP4070/MP4070B						
201	1F	*	A52-0861-08	TOP PLATE	M3K1 M2	
202	3H	*	A53-1724-08	CASSETTE LID		
PA1	3G	*	A64-3557-08	PANEL		
PA1	3G	*	A64-3562-08	PANEL		
RM1	1E		A70-2059-05	REMOTE CONTROLLER ASSY (RC-505)		
-			B46-0100-50	WARRANTY CARD	K1	
-			B46-0606-04	ID CARD		
-			B58-1365-04	CAUTION CARD (CONNECTION)		
-		*	B58-1418-08	CAUTION CARD		
-		*	B64-2861-00	INST. MANUAL (ENG,FRE)		
-		*	B64-2862-10	INST. MANUAL (ENG,T-CHI,KOR)	M2M3	
-		*	B64-2863-00	INST. MANUAL (SPA,POR)	K1	
203	1E		B07-3046-04	ESCUTCHEON ASSY	M2	
204	3H	*	B10-4589-08	FRONT GLASS		
205	3G	*	B10-4679-08	FRONT GLASS ASSY		
205	3G	*	B10-4680-08	FRONT GLASS ASSY		
206	1H	*	B11-1468-08	OPTICAL DIFFUSER		
207	1H	*	B19-2194-18	LIGHTING BOARD	M3K1	
208	3G	*	B19-2284-08	LIGHTING BOARD		
209	2H	*	B19-2328-08	LIGHTING BOARD		
210	2G	*	B19-2286-08	LIGHTING BOARD		
211	3G	*	B43-1525-08	BADGE (KENWOOD)		
CME1	2E	*	D40-2204-08	CASSETTE MECHANISM ASSY	M3K1	
212	1G		E29-1922-08	CONDUCTIVE RUBBER		
213	2H	*	E29-2021-08	CONDUCTIVE RUBBER		
214	3F	*	E30-6406-08	CORD WITH PINPLUG		
△ DC1	1E	*	E30-6405-08	DC CORD ASSY		
FC1	2F	*	E39-0716-08	FLAT CABLE		
215	2H	*	F19-1436-08	BLIND PLATE		
216	1H		F09-1780-08	SHEET		
217	3F		F29-0049-05	INSULATING COVER		
△ F1	3F		F52-0006-05	FUSE (MINI BLADE) (10A)		
218	2G		G09-2052-08	SPRING		
-		*	H10-4903-08	POLY. FOAMED FIXTURE (FRONT)		K1
-		*	H10-4905-08	POLY. FOAMED FIXTURE (BACK)		
-		*	H11-1549-08	POLYSTYRENE FOAMED BOARD		
-			H25-0336-04	PROTECTION BAG (170X250X0.03)		
-			H25-1127-04	PROTECTION BAG (350X450X0.5)		
-		*	H54-3192-08	ITEM CARTON CASE (DPX-MP4070)	K1	
-		*	H54-3193-08	ITEM CARTON CASE (DPX-MP4070B)	M3	
-		*	H54-3206-08	ITEM CARTON CASE (DPX-MP4070)	M2	
219	2H	*	J90-1102-08	GUIDE	M2	
220	1H		J19-5192-08	HOLDER		
231	3G	*	K24-4333-08	KNOB (1,2)	M2	
232	3G	*	K24-4334-08	KNOB (3,4)		
233	3G	*	K24-4342-08	KNOB (5,6)		
234	3G	*	K24-4221-08	KNOB (SEEK)		
235	3H	*	K24-4336-08	KNOB (FM/AM)		
236	3H	*	K24-4223-08	KNOB (VOL)	M2	
237	2G	*	K24-4224-08	KNOB (CD EJECT)		

Ref. No.	Ad	New	Parts No.	Description	Destination
238	3G	*	K24-4230-08	KNOB (RESET)	M3K1 M2
239	3H	*	K25-1676-08	KNOB (CASSETTE EJECT/PAUSE)	
239	3H	*	K25-1705-08	KNOB (CASSETTE EJECT/PAUSE)	
240	3G	*	K25-1677-08	KNOB (COL/DISP)	
241	3G	*	K25-1678-08	KNOB (EQ/ATT)	
242	3G	*	K25-1706-08	KNOB ASSY (SRC/WOW)	K1
274	1E		N99-1724-05	SCREW SET	
A	2E		N86-3006-48	BINDING HEAD TAPTITE SCREW	
B	1F	*	N83-3004-48	SCREW	
C	2F		N86-3008-45	BINDING HEAD TAPTITE SCREW	
D	3F	*	N09-6300-08	BINDING HEAD TAPTITE SCREW	
E	3F	*	N83-3008-45	SCREW	
H	1H		N82-2006-48	BINDING HEAD TAPTITE SCREW	
J	2H	*	N09-6281-08	TAPTITE SCREW	
276	1E		W09-0746-08	MOUNTING PARTS SET	
DME1	1F	*	X92-4850-03	CD MECHANISM ASSY	
MAIN UNIT					
C1			CE04CW1A101M	ELECTRO 100UF 10WV	
C2,3			CK73GB1H103K	CHIP C 0.010UF K	
C4			CC73GCH1H220J	CHIP C 22PF J	
C5			CC73GCH1H200J	CHIP C 20PF J	
C6-8			CK73GB1H103K	CHIP C 0.010UF K	
C9		*	C94-0086-05	ELECTRO 33UF 4WV	
C10			CK73GB1H103K	CHIP C 0.010UF K	
C12			CK73GB1H104K	CHIP C 0.10UF K	
C13			CK73GB1H103K	CHIP C 0.010UF K	
C101			CE04CW1C470M	ELECTRO 47UF 16WV	
C102			CK73GB0J105K	CHIP C 1.0UF K	
C103			CK73GB1A474K	CHIP C 0.47UF K	
C104,105			CK73GB0J105K	CHIP C 1.0UF K	
C106			CK73GB1A474K	CHIP C 0.47UF K	
C107			CK73GB0J105K	CHIP C 1.0UF K	
C108			CK73GB1H103K	CHIP C 0.010UF K	
C109,110			CK73FB1C105K	CHIP C 1.0UF K	
C111,112			CK73FB1A225K	CHIP C 2.2UF K	
C113,114			CK73FB1C105K	CHIP C 1.0UF K	
C115,116			C90-2524-05	NP-ELEC 4.7UF 16WV	
C117		*	C94-0086-05	ELECTRO 33UF 4WV	
C118,119			CK73FB1C105K	CHIP C 1.0UF K	
C141-144			CK73GB1H473K	CHIP C 0.047UF K	
C145			CK73GB0J105K	CHIP C 1.0UF K	
C146			CD04AT1C100M	ELECTRO 10UF 16WV	
C147			CK73GB1H333K	CHIP C 0.033UF K	
C148			CK73GB1H103K	CHIP C 0.010UF K	
C149			CK73GB1A334K	CHIP C 0.33UF K	
C150			CK73GB1A474K	CHIP C 0.47UF K	
C151			CK73GB1H221K	CHIP C 220PF K	
C152			CK73GB1H104K	CHIP C 0.10UF K	
C153,154			CD04AT1C100M	ELECTRO 10UF 16WV	
C155			CK73GB1H104K	CHIP C 0.10UF K	
C156			CK73GB1H103K	CHIP C 0.010UF K	
C158			CK73GB1H104K	CHIP C 0.10UF K	

K1 : DPX-MP4070 **M2** : DPX-MP4070 **M3** : DPX-MP4070B
(E : Europe **K** : North America **M** : Other Areas **W** : Without Europe)

△ Indicates safety critical components.

DPX-MP4070/MP4070B

PARTS LIST

MAIN UNIT

Ref. No.	A d	N e w	Parts No.	Description	Desti- nation
C159,160			CK73FB1C105K	CHIP C 1.0UF K	
C161			CK73GB1H104K	CHIP C 0.10UF K	
C162			CK73GB1H103K	CHIP C 0.010UF K	
C163,164			CK73GB1H473K	CHIP C 0.047UF K	
C201			CK73FB1C104K	CHIP C 0.10UF K	
C202			C93-1218-05	CERAMIC 0.01UF K	
C203-205			C93-1191-08	CERAMIC 1000PF K	
C206			CD04AT1HR47M	ELECTRO 0.47UF 50WV	
C207			CE04CW0J470M	ELECTRO 47UF 6.3WV	
C209			CD04AT1HR47M	ELECTRO 0.47UF 50WV	
C221			C90-2949-08	ELECTRO 470UF 10WV	
C222			CK73GB1H103K	CHIP C 0.010UF K	
C223			CD04AT1C100M	ELECTRO 10UF 16WV	
C224			CK73GB1H103K	CHIP C 0.010UF K	
C225,226			CK73GB1H123K	CHIP C 0.012UF K	
C228			CC73GCH1H220J	CHIP C 22PF J	
C231			CD04AT1C100M	ELECTRO 10UF 16WV	
C232,233			CK73GB1H103K	CHIP C 0.010UF K	
C234			C90-5225-08	NP-ELEC 0.1UF 50WV	
C235			CK73GB1H103K	CHIP C 0.010UF K	
C236			C90-2949-08	ELECTRO 470UF 10WV	
C237,238			CC73GCH1H150J	CHIP C 15PF J	
C239			CC73GCH1H331J	CHIP C 330PF J	
C240			CC73GCH1H102J	CHIP C 1000PF J	
C241			CC73GCH1H331J	CHIP C 330PF J	
C242,243			CD04AT1HR47M	ELECTRO 0.47UF 50WV	
C270			CK73GB1H103K	CHIP C 0.010UF K	
C271,272		*	C93-1374-08	CERAMIC 2200PF K	
C273,274			CD04AT1C100M	ELECTRO 10UF 16WV	
C281,282		*	C93-1374-08	CERAMIC 2200PF K	
C283,284			CD04AT1C100M	ELECTRO 10UF 16WV	
C291-293			CK73GB1H103K	CHIP C 0.010UF K	
C301			CE04CW1A101M	ELECTRO 100UF 10WV	
C302			CK73GB1H103K	CHIP C 0.010UF K	
C303			CE04CW1A101M	ELECTRO 100UF 10WV	
C304			CD04AT1C220M	ELECTRO 22UF 16WV	
C308,309			CK73FB1C105K	CHIP C 1.0UF K	
C331			C93-1366-08	CERAMIC 0.47UF K	
C332			CE04CW0J470M	ELECTRO 47UF 6.3WV	
C333			C93-1366-08	CERAMIC 0.47UF K	
C334			CK73GB1H103K	CHIP C 0.010UF K	
C351,352			CK73GB1H473K	CHIP C 0.047UF K	
C353			CK73GB1H104K	CHIP C 0.10UF K	
C354,355			CK73GB1H473K	CHIP C 0.047UF K	
C356			CK73GB1H104K	CHIP C 0.10UF K	
C357-359			CK73GB1H103K	CHIP C 0.010UF K	
C360			CD04AT1C100M	ELECTRO 10UF 16WV	
C601-604			C93-1366-08	CERAMIC 0.47UF K	
C611-614			C93-1366-08	CERAMIC 0.47UF K	
C621			CK73GB0J105K	CHIP C 1.0UF K	
C622		*	C90-6713-08	ELECTRO 33UF 25WV	
C623			CD04AT1H010M	ELECTRO 1UF 50WV	
C624,625			CK73FB1A225K	CHIP C 2.2UF K	
C801			C90-5328-08	ELECTRO 3900UF 16WV	
C802			C90-5694-08	ELECTRO 0.1UF 50WV	

Ref. No.	A d	N e w	Parts No.	Description	Desti- nation
C803			CD04AT1H3R3M	ELECTRO 3.3UF 50WV	
C804			CK73GB0J105K	CHIP C 1.0UF K	
C805			C93-1151-08	CHIP C 0.022UF K	
C806-808			CK73GB1H103K	CHIP C 0.010UF K	
C809			CK73GB0J105K	CHIP C 1.0UF K	
C830			CK73GB1H103K	CHIP C 0.010UF K	
C851			CK73GB1A474K	CHIP C 0.47UF K	
C852			C90-5248-05	ELECTRO 100UF 10WV	
C853			CK73GB1A474K	CHIP C 0.47UF K	
C855		*	C90-6714-08	ELECTRO 470UF 25WV	
C856			CD04AT1C100M	ELECTRO 10UF 16WV	
C857			CK73GB1H103K	CHIP C 0.010UF K	
C858			C90-5248-05	ELECTRO 100UF 10WV	
C859			CC73GCH1H102J	CHIP C 1000PF J	
C860			CD04AZ1C221M	ELECTRO 220UF 16WV	
C861			CK73GB1H104K	CHIP C 0.10UF K	
C862			CE04CW1A101M	ELECTRO 100UF 10WV	
C863			CK73GB1H104K	CHIP C 0.10UF K	
C864			CD04AT1E100M	ELECTRO 10UF 25WV	
C865			CD04AT1C100M	ELECTRO 10UF 16WV	
C866			CK73GB1H102K	CHIP C 1000PF K	
ANT221			E04-0323-08	RF COAXIAL CABLE RECEPTACLE	
CN1		*	E58-1011-08	RECTANGULAR RECEPTACLE	
CN201			E56-0834-05	CYLINDRICAL RECEPTACLE	
CN271A			E63-0869-08	PIN JACK	
CN291			E40-9656-05	FLAT CABLE CONNECTOR	
CN301		*	E41-2270-08	FLAT CABLE CONNECTOR	
CN331			E40-3238-05	PIN ASSY	
CN351			E41-0051-08	FLAT CABLE CONNECTOR	
CN801			E03-0403-08	DC JACK	
△ FU802		*	F09-1922-08	PROTECTOR (FUSE) (2A)	
L2			L41-4795-33	SMALL FIXED INDUCTOR (4.7UH)	
L4,5		*	L92-0605-08	CHIP FERRITE	
L41		*	L92-0605-08	CHIP FERRITE	
L51		*	L92-0605-08	CHIP FERRITE	
L101			L41-4795-33	SMALL FIXED INDUCTOR (4.7UH)	
L221		*	L33-2231-08	LINE FILTER (52UH)	
L222			L40-1001-88	SMALL FIXED INDUCTOR (10UH)	
L223			L41-4795-33	SMALL FIXED INDUCTOR (4.7UH)	
L224,225		*	L92-0605-08	CHIP FERRITE	
L231		*	L92-0605-08	CHIP FERRITE	
L801			L33-1988-05	CHOKE COIL ASSY	
X1			L78-0533-05	RESONATOR (32.768KHz)	
X2		*	L78-1202-08	RESONATOR (7.97MHz)	
X201			L77-2080-05	CRYSTAL RESONATOR (7.2MHz)	
JC3			R92-2053-05	CHIP R 0 OHM J 1/8W	
JC5			R92-2052-05	CHIP R 0 OHM J 1/10W	
JC7			R92-2053-05	CHIP R 0 OHM J 1/8W	
R1			RK73GB2A473J	CHIP R 47K J 1/10W	
R4			RK73GB2A473J	CHIP R 47K J 1/10W	
R5			RK73GB2A102J	CHIP R 1.0K J 1/10W	
R6			R92-1252-05	CHIP R 0 OHM J 1/16W	
R7			RK73GB1J684J	CHIP R 680K J 1/16W	

K1 : DPX-MP4070 M2 : DPX-MP4070 M3 : DPX-MP4070B
(E : Europe K : North America M : Other Areas W : Without Europe)

△ Indicates safety critical components.

PARTS LIST

MAIN UNIT

Ref. No.	Add	New	Parts No.	Description	Destination	Ref. No.	Add	New	Parts No.	Description	Destination
R8			RK73GB2A470J	CHIP R 47 J 1/10W		R156			RK73GB2A911J	CHIP R 910 J 1/10W	
R9			RK73GB2A102J	CHIP R 1.0K J 1/10W		R157,158			RK73GB2A104J	CHIP R 100K J 1/10W	
R10			RK73GB2A470J	CHIP R 47 J 1/10W		R159,160			RK73GB2A103J	CHIP R 10K J 1/10W	
R13			RK73GB2A102J	CHIP R 1.0K J 1/10W		R161			RK73GB2A222J	CHIP R 2.2K J 1/10W	
R14			RK73GB2A222J	CHIP R 2.2K J 1/10W		R162			RK73GB2A911J	CHIP R 910 J 1/10W	
R15			RK73GB2A102J	CHIP R 1.0K J 1/10W		R163			RK73GB2A472J	CHIP R 4.7K J 1/10W	
R17			RK73GB2A102J	CHIP R 1.0K J 1/10W		R164			RK73GB2A222J	CHIP R 2.2K J 1/10W	
R19			RK73GB2A472J	CHIP R 4.7K J 1/10W		R201			RK73EB2E470J	CHIP R 47 J 1/4W	
R20,21			RK73GB2A101J	CHIP R 100 J 1/10W		R202,203			RK73EB2E472J	CHIP R 4.7K J 1/4W	
R22			RK73GB2A473J	CHIP R 47K J 1/10W		R204			RK73EB2E4R7J	CHIP R 4.7 J 1/4W	
R23			RK73GB2A102J	CHIP R 1.0K J 1/10W		R205			RK73EB2E222J	CHIP R 2.2K J 1/4W	
R25			RK73GB2A473J	CHIP R 47K J 1/10W		R206			RK73EB2E100J	CHIP R 10 J 1/4W	
R26			RK73GB2A473J	CHIP R 47K J 1/10W	M2M3	R207			RK73EB2E102J	CHIP R 1.0K J 1/4W	
R27,28			RK73GB2A473J	CHIP R 47K J 1/10W	K1	R208			RK73EB2E222J	CHIP R 2.2K J 1/4W	
R29			RK73GB2A473J	CHIP R 47K J 1/10W	M2M3	R209			RK73EB2E101J	CHIP R 100 J 1/4W	
R30			RK73GB2A102J	CHIP R 1.0K J 1/10W		R210			RK73EB2E100J	CHIP R 10 J 1/4W	
R31			RK73GB2A101J	CHIP R 100 J 1/10W		R211			RK73EB2E101J	CHIP R 100 J 1/4W	
R32			RK73GB2A102J	CHIP R 1.0K J 1/10W		R212			RK73FB2B102J	CHIP R 1.0K J 1/8W	
R34-36			RK73GB2A102J	CHIP R 1.0K J 1/10W		R221,222			RK73GB2A101J	CHIP R 100 J 1/10W	
R37			RK73GB2A222J	CHIP R 2.2K J 1/10W		R223			RK73GB2A104J	CHIP R 100K J 1/10W	
R38			RK73GB2A104J	CHIP R 100K J 1/10W		R231			RK73GB2A181J	CHIP R 180 J 1/10W	
R39			RK73GB2A473J	CHIP R 47K J 1/10W		R232			RK73GB2A332J	CHIP R 3.3K J 1/10W	
R40			RK73GB2A104J	CHIP R 100K J 1/10W		R233			RK73GB2A183J	CHIP R 18K J 1/10W	
R41			RK73GB2A473J	CHIP R 47K J 1/10W		R234			RK73GB2A222J	CHIP R 2.2K J 1/10W	
R42,43			RK73GB2A101J	CHIP R 100 J 1/10W		R235			RK73GB2A102J	CHIP R 1.0K J 1/10W	
R44-46			RK73GB2A472J	CHIP R 4.7K J 1/10W		R236			RK73GB2A222J	CHIP R 2.2K J 1/10W	
R48			RK73GB2A473J	CHIP R 47K J 1/10W		R237			RK73GB2A473J	CHIP R 47K J 1/10W	
R49			RK73GB2A472J	CHIP R 4.7K J 1/10W		R238			RK73GB2A222J	CHIP R 2.2K J 1/10W	
R50			RK73GB2A102J	CHIP R 1.0K J 1/10W		R239,240			RK73GB2A473J	CHIP R 47K J 1/10W	
R51,52			RK73GB2A101J	CHIP R 100 J 1/10W		R271,272			RK73EB2E101J	CHIP R 100 J 1/4W	
R53			RK73GB2A472J	CHIP R 4.7K J 1/10W		R273,274			RK73GB2A223J	CHIP R 22K J 1/10W	
R54			RK73GB2A102J	CHIP R 1.0K J 1/10W		R275,276			RK73GB2A471J	CHIP R 470 J 1/10W	
R56			RK73GB2A102J	CHIP R 1.0K J 1/10W		R277			RK73GB2A102J	CHIP R 1.0K J 1/10W	
R57			RK73GB2A473J	CHIP R 47K J 1/10W		R281,282			RK73EB2E101J	CHIP R 100 J 1/4W	
R58			R92-1252-05	CHIP R 0 OHM J 1/16W		R283,284			RK73GB2A223J	CHIP R 22K J 1/10W	
R89,90			RK73GB2A621J	CHIP R 620 J 1/10W		R285,286			RK73GB2A471J	CHIP R 470 J 1/10W	
R101			RK73GB2A103J	CHIP R 10K J 1/10W		R287			RK73GB2A102J	CHIP R 1.0K J 1/10W	
R102-104			R92-1252-05	CHIP R 0 OHM J 1/16W		R291			RK73GB2A473J	CHIP R 47K J 1/10W	
R105,106			RK73GB2A101J	CHIP R 100 J 1/10W		R292			RK73GB2A471J	CHIP R 470 J 1/10W	
R109,110			RK73GB2A361J	CHIP R 360 J 1/10W		R293			RK73GB2A473J	CHIP R 47K J 1/10W	
R132			RK73GB2A823J	CHIP R 82K J 1/10W		R294			RK73GB2A471J	CHIP R 470 J 1/10W	
R133,134			RK73GB2A473J	CHIP R 47K J 1/10W		R295			RK73GB2A473J	CHIP R 47K J 1/10W	
R135			RK73GB2A823J	CHIP R 82K J 1/10W		R296			RK73GB2A471J	CHIP R 470 J 1/10W	
R141			RK73GB2A473J	CHIP R 47K J 1/10W		R297,298			RK73GB2A104J	CHIP R 100K J 1/10W	
R142			RK73GB2A363J	CHIP R 36K J 1/10W		R299			RK73GB2A222J	CHIP R 2.2K J 1/10W	
R143			RK73GB2A912J	CHIP R 9.1K J 1/10W		R301			RK73EB2E100J	CHIP R 10 J 1/4W	
R144			RK73GB2A622J	CHIP R 6.2K J 1/10W		R302-308			RK73GB2A473J	CHIP R 47K J 1/10W	
R145			RK73GB2A134J	CHIP R 130K J 1/10W		R312,313			R92-1252-05	CHIP R 0 OHM J 1/16W	
R146			RK73GB2A823J	CHIP R 82K J 1/10W		R331			RK73EB2E100J	CHIP R 10 J 1/4W	
R147			RK73GB2A682J	CHIP R 6.8K J 1/10W		R332			RK73EB2E4R7J	CHIP R 4.7 J 1/4W	
R148			RK73GB2A332J	CHIP R 3.3K J 1/10W		R333			RK73EB2E100J	CHIP R 10 J 1/4W	
R149			RK73GB2A392J	CHIP R 3.9K J 1/10W		R334			RK73FB2B102J	CHIP R 1.0K J 1/8W	
R150,151			RK73GB2A104J	CHIP R 100K J 1/10W		R351,352			RS14DB2H100J	FL-PROOF RS 10 J 1/2W	
R152,153			RK73GB2A103J	CHIP R 10K J 1/10W		R353			RK73GB2A471J	CHIP R 470 J 1/10W	
R154,155			RK73GB2A222J	CHIP R 2.2K J 1/10W		R354			RK73GB2A473J	CHIP R 47K J 1/10W	

K1 : DPX-MP4070 **M2** : DPX-MP4070 **M3** : DPX-MP4070B
(E : Europe **K** : North America **M** : Other Areas **W** : Without Europe)

△ Indicates safety critical components.

DPX-MP4070/MP4070B

PARTS LIST

MAIN UNIT

Ref. No.	A d d	N e w	Parts No.	Description	Desti- nation
R355			RK73GB2A471J	CHIP R 470 J 1/10W	
R356			RK73GB2A473J	CHIP R 47K J 1/10W	
R357			RK73GB2A471J	CHIP R 470 J 1/10W	
R358			RK73GB2A473J	CHIP R 47K J 1/10W	
R359			RK73GB2A121J	CHIP R 120 J 1/10W	
R360			RK73EB2E101J	CHIP R 100 J 1/4W	
R371			RK73GB2A473J	CHIP R 47K J 1/10W	
R374			RK73GB2A104J	CHIP R 100K J 1/10W	
R622			RK73GB2A473J	CHIP R 47K J 1/10W	
R623			RK73GB2A333J	CHIP R 33K J 1/10W	
R625			RK73GB2A432J	CHIP R 4.3K J 1/10W	
R626			RK73GB2A223J	CHIP R 22K J 1/10W	
R627			RK73GB2A221J	CHIP R 220 J 1/10W	
R629			R92-1252-05	CHIP R 0 OHM J 1/16W	
R631			RK73GB2A100J	CHIP R 10 J 1/10W	
R802			RK73GB2A223J	CHIP R 22K J 1/10W	
R803,804			R90-1044-08	FL-PROOF RS 1.2K J 1/2W	
R805			RK73GB2A472J	CHIP R 4.7K J 1/10W	
R806			RK73GB2A223J	CHIP R 22K J 1/10W	
R807,808			RD14DB2H102J	SMALL-RD 1.0K J 1/2W	
R809			RK73GB2A472J	CHIP R 4.7K J 1/10W	
R810			RK73GB2A203J	CHIP R 20K J 1/10W	
R811			RK73GB2A683J	CHIP R 68K J 1/10W	
R812			RK73GB2A393J	CHIP R 39K J 1/10W	
R813			RK73GB2A104J	CHIP R 100K J 1/10W	
R814,815			RK73GB2A103J	CHIP R 10K J 1/10W	
R816			RK73GB2A474J	CHIP R 470K J 1/10W	
R817			RK73GB2A101J	CHIP R 100 J 1/10W	
R818			RK73GB2A103J	CHIP R 10K J 1/10W	
R819			RK73GB2A104J	CHIP R 100K J 1/10W	
R820			RK73EB2E333J	CHIP R 33K J 1/4W	
R821			RD14DB2H332J	SMALL-RD 3.3K J 1/2W	
R822			RK73GB2A103J	CHIP R 10K J 1/10W	
R823			RK73GB2A104J	CHIP R 100K J 1/10W	
R824			RK73EB2E103J	CHIP R 10K J 1/4W	
R825			RK73GB2A104J	CHIP R 100K J 1/10W	
R826			RK73GB2A561J	CHIP R 560 J 1/10W	
R827			RK73EB2E102J	CHIP R 1.0K J 1/4W	
R828			RK73GB2A104J	CHIP R 100K J 1/10W	
R829			RK73GB2A473J	CHIP R 47K J 1/10W	
R830			RK73EB2E103J	CHIP R 10K J 1/4W	
R851-854			RK73EB2B0R1J	CHIP R 0.1 J 1/8W	
R855			RK73EB2E471J	CHIP R 470 J 1/4W	
R856			RK73FB2B102J	CHIP R 1.0K J 1/8W	
R857		*	R92-5049-08	FL-PROOF RS 2.7 J 1/2W	
R858			RK73GB2A223J	CHIP R 22K J 1/10W	
R859			RK73GB2A152J	CHIP R 1.5K J 1/10W	
R860			RK73GB2A103J	CHIP R 10K J 1/10W	
R861			RK73GB2A102J	CHIP R 1.0K J 1/10W	
R862,863			RK73GB2A471J	CHIP R 470 J 1/10W	
R864			RK73GB2A274J	CHIP R 270K J 1/10W	
R865			RD14DB2H102J	SMALL-RD 1.0K J 1/2W	
R866			RK73GB2A103J	CHIP R 10K J 1/10W	
RN1			R90-0725-05	MULTI-COMP 1K X2	
RN3,4			R90-0725-05	MULTI-COMP 1K X2	

Ref. No.	A d d	N e w	Parts No.	Description	Desti- nation
RN5			R90-1043-08	MULTI-COMP 4.7K X2	
RN6-8			R90-0725-05	MULTI-COMP 1K X2	
RN9			R90-1043-08	MULTI-COMP 4.7K X2	
RN10			R90-1042-08	MULTI-COMP 4.7K X4	
RN11-13			R90-0724-05	MULTI-COMP 1K X4	
RN14			R90-0725-05	MULTI-COMP 1K X2	
RN15		*	R90-1550-08	MULTI-COMP 10K X4	
RN16,17			R90-0725-05	MULTI-COMP 1K X2	
RN18			R90-1071-08	MULTI-COMP 47 X2	
RN201			R90-0720-05	MULTI-COMP 100K X4	
RN351			R90-0723-05	MULTI-COMP 47K X2	
D1			1SS400	DIODE	
D101			1SS400	DIODE	
D201			HZM6.2ZWA	ZENER DIODE	
D203-206			HZM6.2ZWA	ZENER DIODE	
D207			MTZJ6.8B	ZENER DIODE	
D271-273			HZM6.2ZWA	ZENER DIODE	
D274			DAP202U	DIODE	
D277			DAP202U	DIODE	
D281-283			HZM6.2ZWA	ZENER DIODE	
D284			DAP202U	DIODE	
D331-333			MTZJ6.8B	ZENER DIODE	
D351		*	MAZ80390LL	ZENER DIODE	
D352			1SR139-400	DIODE	
D602			DAP202U	DIODE	
D611-614			1SR154-400	DIODE	
D621-624			1SR154-400	DIODE	
D801			RM10Z	DIODE	
D803-806			1SR154-400	DIODE	
D807			1SS400	DIODE	
D808,809			MA8068-M	ZENER DIODE	
D810			1SS400	DIODE	
D811			MA8068-M	ZENER DIODE	
D812,813			MA8056-M	ZENER DIODE	
D814			MA8056-M	ZENER DIODE	
D815			MA8082-L	ZENER DIODE	
D816		*	MAZ82200LL	ZENER DIODE	
D817			MA8082-H	ZENER DIODE	
D818			MA8056-M	ZENER DIODE	
D819			MA8120-L	ZENER DIODE	
D820			SB040	DIODE	
DSP221			DSP-201M-S00B	SURGE ABSORBER	
IC1		*	MN101C49KWG	MICROCONTROLLER IC	
IC2			PST3438UL	ANALOGUE IC	
IC3			HD74HC27FP-E	MOS-IC	
IC5			BR24C01AF	ROM IC	
IC12			LC72135M	MOS-IC	
IC101			E-TDA7414	ANALOGUE IC	
IC103			NJM2195FJ1	ANALOGUE IC	
IC104			TC7W66FK-F	MOS-IC	
IC301			BA3131FS	ANALOGUE IC	
IC351			BA6219BFP-Y	ANALOGUE IC	
IC601		3F	E-TDA7560A	ANALOGUE IC	
Q1			DTA144EUA	DIGITAL TRANSISTOR	

K1 : DPX-MP4070 M2 : DPX-MP4070 M3 : DPX-MP4070B
(E : Europe K : North America M : Other Areas W : Without Europe)

△ Indicates safety critical components.

PARTS LIST

MAIN UNIT

Ref. No.	Add	New	Parts No.	Description	Destination
Q5			DTB123YK	DIGITAL TRANSISTOR	
Q101			DTC144EUA	DIGITAL TRANSISTOR	
Q141			DTC124EUA	DIGITAL TRANSISTOR	
Q221			2SK536	FET	
Q222			DTC124EUA	DIGITAL TRANSISTOR	
Q271,272			DTC143TUA	DIGITAL TRANSISTOR	
Q277			DTA124EUA	DIGITAL TRANSISTOR	
Q281,282			DTC143TUA	DIGITAL TRANSISTOR	
Q287			DTA124EUA	DIGITAL TRANSISTOR	
Q802			DTC114YUA	DIGITAL TRANSISTOR	
Q803			DTA114EUA	DIGITAL TRANSISTOR	
Q804			2SA1576A	TRANSISTOR	
Q805			2SB1277 (Q,R)	TRANSISTOR	
Q806			DTC114YUA	DIGITAL TRANSISTOR	
Q807			2SB1277 (Q,R)	TRANSISTOR	
Q808			2SA1576A	TRANSISTOR	
Q809,810			2SC4081	TRANSISTOR	
Q811			DTC144EUA	DIGITAL TRANSISTOR	
Q812			DTA123JK	DIGITAL TRANSISTOR	
Q813			2SC4081	TRANSISTOR	
Q851			IMD3AL	DIGITAL TRANSISTOR	
Q852			2SC4081	TRANSISTOR	
Q853,854			2SB1548 (P)	TRANSISTOR	
Q855			2SC4081	TRANSISTOR	
Q856			2SB1184	TRANSISTOR	
Q857			2SC4081	TRANSISTOR	
Q858			2SB1548 (P)	TRANSISTOR	
Q859			DTC124EUA	DIGITAL TRANSISTOR	
Q860			DTB123YK	DIGITAL TRANSISTOR	
Q861			2SC4081	TRANSISTOR	
Q862			2SA1703 (R,S,T)	TRANSISTOR	
Q863			2SC4081	TRANSISTOR	
Q864			2SB1548 (P)	TRANSISTOR	
Q865			IMD2A	DIGITAL TRANSISTOR	
Q866			2SC4081	TRANSISTOR	
Q867			2SB1184	TRANSISTOR	
Q868			DTC114YUA	DIGITAL TRANSISTOR	
Q869			2SA1703 (R,S,T)	TRANSISTOR	
Q870			IMD3AL	DIGITAL TRANSISTOR	
TU221		*	W02-5015-08	TUNER ASSY	
EQUALIZER UNIT					
C250A,B			CC73GCH1H471J	CHIP C 470PF J	
C252A,B			CC73GCH1H471J	CHIP C 470PF J	
C254A,B			CC73GCH1H100D	CHIP C 10PF D	
C255A,B			CC73GCH1H100D	CHIP C 10PF D	
C256A,B			CK73GB1H103K	CHIP C 0.010UF K	
C257			CE04CW1C220M	ELECTRO 22UF 16WV	
C258A,B			CK73GB1H102K	CHIP C 1000PF K	
C259A,B			C90-5694-08	ELECTRO 0.1UF 50WV	
C260			CE04CW1C220M	ELECTRO 22UF 16WV	
C261A,B			CK73GB1H104K	CHIP C 0.10UF K	
C262A,B			C90-2600-05	NP-ELEC 2.2UF 35WV	
C263			C93-1366-08	CERAMIC 0.47UF K	
C264			CK73GB1H472K	CHIP C 4700PF K	

Ref. No.	Add	New	Parts No.	Description	Destination
C265			CK73GB1H104K	CHIP C 0.10UF K	
C266			C93-1365-08	CERAMIC 2.2UF Z	
CN250			E41-2135-08	FLAT CABLE CONNECTOR	
CN251		*	E41-2275-08	FLAT CABLE CONNECTOR	
R250A,B			RK73GB2A104J	CHIP R 100K J 1/10W	
R251A,B			RK73GB2A104J	CHIP R 100K J 1/10W	
R252A,B			RK73GB2A101J	CHIP R 100 J 1/10W	
R253A,B			RK73GB2A101J	CHIP R 100 J 1/10W	
R254A,B			RK73GB2A181J	CHIP R 180 J 1/10W	
R255A,B			RK73GB2A101J	CHIP R 100 J 1/10W	
R256			RK73GB2A223J	CHIP R 22K J 1/10W	
R257			RK73GB2A100J	CHIP R 10 J 1/10W	
R258			RK73GB2A392J	CHIP R 3.9K J 1/10W	
R259			RK73GB2A513J	CHIP R 51K J 1/10W	
R260			RK73GB2A224J	CHIP R 220K J 1/10W	
R261			R92-1252-05	CHIP R 0 OHM J 1/16W	
R262			RK73GB2A223J	CHIP R 22K J 1/10W	
VR250A,B			R31-0239-08	VARIABLE RESISTOR (10K)	
IC250			CXA2560Q	ANALOGUE IC	
CONTROL UNIT					
D931		*	B30-1715-08	LED	
D941-961		*	B30-1715-08	LED	
D981,982			B30-1599-05	LED	
LCD901	2G	*	B38-1162-08	LCD	
C902			CK73GB1H104K	CHIP C 0.10UF K	
C903			CK73GB1H681K	CHIP C 680PF K	
C904-906			CK73GB1H104K	CHIP C 0.10UF K	
C907			CK73GB1H103K	CHIP C 0.010UF K	
C922			C90-5327-08	CHIP-TAN 10UF K	
C931-933			CK73GB1H103K	CHIP C 0.010UF K	
CN901		*	E59-0844-08	RECTANGULAR PLUG	
R901,902			RK73GB2A102J	CHIP R 1.0K J 1/10W	
R903			RK73GB2A331J	CHIP R 330 J 1/10W	
R904-907			RK73GB2A472J	CHIP R 4.7K J 1/10W	
R908			RK73GB2A433J	CHIP R 43K J 1/10W	
R909			RK73GB2A473J	CHIP R 47K J 1/10W	
R910			RK73GB2A102J	CHIP R 1.0K J 1/10W	
R911			RK73GB2A100J	CHIP R 10 J 1/10W	
R921			RK73GB2A101J	CHIP R 100 J 1/10W	
R931-933			RK73GB2A102J	CHIP R 1.0K J 1/10W	
R934-937			RK73GB2A472J	CHIP R 4.7K J 1/10W	
R938			RK73GB2A223J	CHIP R 22K J 1/10W	
R939			RK73FB2B271J	CHIP R 270 J 1/8W	
R940-942			RK73FB2B471J	CHIP R 470 J 1/8W	
R943			RK73FB2B621J	CHIP R 620 J 1/8W	
R944-946			RK73FB2B471J	CHIP R 470 J 1/8W	
R951,952			RK73EB2E431J	CHIP R 430 J 1/4W	
R953,954			RK73EB2E561J	CHIP R 560 J 1/4W	
R961,962			RK73EB2E431J	CHIP R 430 J 1/4W	
R963,964			RK73EB2E561J	CHIP R 560 J 1/4W	
R965			RK73FB2B102J	CHIP R 1.0K J 1/8W	

K1 : DPX-MP4070 **M2** : DPX-MP4070 **M3** : DPX-MP4070B
(E : Europe **K** : North America **M** : Other Areas **W** : Without Europe)

△ Indicates safety critical components.

DPX-MP4070/MP4070B

PARTS LIST

CONTROL UNIT

Ref. No.	A d d	N e w	Parts No.	Description	Desti- nation
RN901,902			R90-0724-05	MULTI-COMP 1K X4	
D905 D907,908 IC901 IC921 Q901			MA8082-H DAN202U LC75808W	ZENER DIODE DIODE MOS-IC	
Q903-905 Q921		*	TSOP4840SB1 DTA124EUA	ANALOGUE IC DIGITAL TRANSISTOR	
			2SC4081 DTA124EUA	TRANSISTOR DIGITAL TRANSISTOR	

CD PLAYER UNIT (X32-5500-01)

C1,2			CK73GB1H222K	CHIP C 2200PF	K
C3,4			CK73GB0J105K	CHIP C 1.0UF	K
C5			CK73GB1C104K	CHIP C 0.10UF	K
C6			CK73GB1H103K	CHIP C 0.010UF	K
C7-9			CK73GB0J105K	CHIP C 1.0UF	K
C10-15			CK73GB1C104K	CHIP C 0.10UF	K
C16			CK73FB0J475K	CHIP C 4.7UF	K
C17			CK73FB0J106M	CHIP C 10UF	M
C18			CK73GB1C104K	CHIP C 0.10UF	K
C19			CK73FB0J475K	CHIP C 4.7UF	K
C20			CK73GB1C104K	CHIP C 0.10UF	K
C21			CK73GB1H102K	CHIP C 1000PF	K
C22,23			CK73GB0J105K	CHIP C 1.0UF	K
C24-27			CK73GB1C104K	CHIP C 0.10UF	K
C28			CK73FB0J106M	CHIP C 10UF	M
C29			CK73GB1C104K	CHIP C 0.10UF	K
C30			CK73GB1H152K	CHIP C 1500PF	K
C31			CC73GCH1H470J	CHIP C 47PF	J
C32,33			CK73GB1C104K	CHIP C 0.10UF	K
C34			CC73GCH1H560J	CHIP C 56PF	J
C35,36			CK73GB1C104K	CHIP C 0.10UF	K
C37			CK73GB1H102K	CHIP C 1000PF	K
C38			CK73GB1H682K	CHIP C 6800PF	K
C39			CK73GB1C104K	CHIP C 0.10UF	K
C41			CK73GB1A334K	CHIP C 0.33UF	K
C42-45			CK73GB1C104K	CHIP C 0.10UF	K
C46			CK73GB1H682K	CHIP C 6800PF	K
C47			CK73GB1C104K	CHIP C 0.10UF	K
C48			CC73GCH1H040C	CHIP C 4.0PF	C
C49			CK73GB1H332K	CHIP C 3300PF	K
C50			CK73GB1C104K	CHIP C 0.10UF	K
C51			CC73GCH1H330J	CHIP C 33PF	J
C52			CK73FB1A225K	CHIP C 2.2UF	K
C53			CK73GB0J105K	CHIP C 1.0UF	K
C54,55			CK73GB1H103K	CHIP C 0.010UF	K
C56,57			CK73GB1H331K	CHIP C 330PF	K
C58			CK73GB1H472K	CHIP C 4700PF	K
C59-63			CK73GB1H152K	CHIP C 1500PF	K
C64			CK73GB1C104K	CHIP C 0.10UF	K
C66			CC73GCH1H120J	CHIP C 12PF	J
C67			CC73GCH1H180J	CHIP C 18PF	J
C68			CK73GB1H103K	CHIP C 0.010UF	K
C69			CK73FB1A225K	CHIP C 2.2UF	K
C70			CK73FB1A105K	CHIP C 1.0UF	K
C71			CK73FB0J106M	CHIP C 10UF	M

Ref. No.	A d d	N e w	Parts No.	Description	Desti- nation
C72			CK73GB1H102K	CHIP C 1000PF	K
CN1			E41-2083-05	FLAT CABLE CONNECTOR	
CN2			E41-2068-05	FLAT CABLE CONNECTOR	
CN2			E41-2085-15	FLAT CABLE CONNECTOR	
L1,2			L92-0386-05	CHIP FERRITE	
X1			L77-2808-05	CRYSTAL RESONATOR (16.897849MHZ)	
X2			L78-0896-05	RESONATOR (16.00MHZ)	
CP1			RK74GA1J104J	CHIP-COM 100K	J 1/16W
CP2,3			RK74GA1J101J	CHIP-COM 100	J 1/16W
CP4			RK74GA1J103J	CHIP-COM 10K	J 1/16W
CP5			RK74GA1J102J	CHIP-COM 1.0K	J 1/16W
CP6			RK74GA1J104J	CHIP-COM 100K	J 1/16W
CP7			RK74GB1J102J	CHIP-COM 1.0K	J 1/16W
CP8			RK74GA1J102J	CHIP-COM 1.0K	J 1/16W
CP9			RK74GB1J101J	CHIP-COM 100	J 1/16W
CP10			RK74GB1J103J	CHIP-COM 10K	J 1/16W
CP11			RK74GB1J472J	CHIP-COM 4.7K	J 1/16W
CP12			RK74GA1J104J	CHIP-COM 100K	J 1/16W
CP13,14			RK74GB1J104J	CHIP-COM 100K	J 1/16W
CP15			RK74GA1J104J	CHIP-COM 100K	J 1/16W
CP16			RK74GB1J222J	CHIP-COM 2.2K	J 1/16W
R1			RK73GB2A100J	CHIP R 10	J 1/10W
R2			R92-3494-05	CHIP R 5.6	F 1/2W
R3,4			RK73FB2B331J	CHIP R 330	J 1/8W
R5			RK73GB2A101J	CHIP R 100	J 1/10W
R6			RN73GH1J223D	CHIP R 22K	D 1/16W
R7			RK73GB2A104J	CHIP R 100K	J 1/10W
R8			RN73GH1J393D	CHIP R 39K	D 1/16W
R9			RK73GB2A104J	CHIP R 100K	J 1/10W
R10			RK73GB2A101J	CHIP R 100	J 1/10W
R11,12			RK73GB2A104J	CHIP R 100K	J 1/10W
R13			RK73GB2A102J	CHIP R 1.0K	J 1/10W
R14-17			RK73GB2A104J	CHIP R 100K	J 1/10W
R18			RK73GB2A101J	CHIP R 100	J 1/10W
R21-23			RK73GB2A103J	CHIP R 10K	J 1/10W
R24,25			RK73GB2A4R7J	CHIP R 4.7	J 1/10W
R27			RK73GB2A104J	CHIP R 100K	J 1/10W
R28			RK73GB2A103J	CHIP R 10K	J 1/10W
R29			RK73GB2A102J	CHIP R 1.0K	J 1/10W
R31-33			RK73GB2A104J	CHIP R 100K	J 1/10W
R34			RK73GB2A472J	CHIP R 4.7K	J 1/10W
R35			RK73GB2A104J	CHIP R 100K	J 1/10W
R36			RK73FB2B4R7J	CHIP R 4.7	J 1/8W
R37			RK73GB2A103J	CHIP R 10K	J 1/10W
R38			RK73GB2A221J	CHIP R 220	J 1/10W
R39			RK73GB2A152J	CHIP R 1.5K	J 1/10W
R40			RK73GB2A274J	CHIP R 270K	J 1/10W
R42			RK73GB2A101J	CHIP R 100	J 1/10W
R43			RK73GB2A393J	CHIP R 39K	J 1/10W
R44,45			RK73GB2A302J	CHIP R 3.0K	J 1/10W
R46			RK73GB2A105J	CHIP R 1.0M	J 1/10W
R47			RK73GB2A104J	CHIP R 100K	J 1/10W
R48,49			RK73GB2A331J	CHIP R 330	J 1/10W

K1 : DPX-MP4070 M2 : DPX-MP4070 M3 : DPX-MP4070B
(E : Europe K : North America M : Other Areas W : Without Europe)

△ Indicates safety critical components.

PARTS LIST

CD PLAYER UNIT (X32-5500-01)

Ref. No.	Add	New	Parts No.	Description	Destination
R50			RK73GB2A101J	CHIP R 100 J 1/10W	
R51			RK73GB2A392J	CHIP R 3.9K J 1/10W	
R52			RK73GB2A163J	CHIP R 16K J 1/10W	
R53			RK73GB2A123J	CHIP R 12K J 1/10W	
R54			RK73GB2A333J	CHIP R 33K J 1/10W	
R55			RK73GB2A103J	CHIP R 10K J 1/10W	
R56			RK73GB2A123J	CHIP R 12K J 1/10W	
R57,58			RK73GB2A133J	CHIP R 13K J 1/10W	
R59			RK73GB2A472J	CHIP R 4.7K J 1/10W	
R60			RK73GB2A123J	CHIP R 12K J 1/10W	
R61			RK73GB2A183J	CHIP R 18K J 1/10W	
R62			RK73GB2A432J	CHIP R 4.3K J 1/10W	
R63			RK73GB2A133J	CHIP R 13K J 1/10W	
R64			RK73GB2A241J	CHIP R 240 J 1/10W	
R65			RK73GB2A104J	CHIP R 100K J 1/10W	
R66			RK73GB2A472J	CHIP R 4.7K J 1/10W	
R67			RK73GB2A222J	CHIP R 2.2K J 1/10W	
R68,69			RK73GB2A104J	CHIP R 100K J 1/10W	
R70			RK73GB2A102J	CHIP R 1.0K J 1/10W	
S1,2			S68-0863-05	PUSH SWITCH	
S3			S68-0862-05	PUSH SWITCH	
S4			S68-0864-05	PUSH SWITCH	
D2			DA204UF	DIODE	
D3			DAN202UF	DIODE	
IC1			91CW12AFG-5AR1	MICROCONTROLLER IC	
IC2			UPD63712GC	MOS-IC	
IC3			TC94A20F-010	MOS-IC	
IC4			BA5824FP-F	ANALOGUE IC	
IC5			NJM2880U133	ANALOGUE IC	
IC5			NJM2880U33	ANALOGUE IC	
IC6			S-1112B33MCG	ANALOGUE IC	
IC6			XC6219B332MR	ANALOGUE IC	
IC7			S-1112B25MCG	ANALOGUE IC	
IC7			XC6219B252MR	ANALOGUE IC	
IC8			TC7SH08FU	MOS-IC	
IC9			TAR5S33-F	ANALOGUE IC	
Q1			2SK3018F	FET	
Q3			UMD9N	TRANSISTOR	
Q4			2SK3018F	FET	
Q5			UMD9N	TRANSISTOR	
Q6			UMD12N	TRANSISTOR	
Q7			DTC124EUAF	DIGITAL TRANSISTOR	
Q8			2SB0970	TRANSISTOR	
Q9,10			DTC114YUAF	DIGITAL TRANSISTOR	
CD MECHANISM ASSY (X92-4850-03)					
2	1B		A10-4827-32	CHASSIS	
5	1B		D10-4576-83	ARM ASSY	
8	2A		D10-4579-23	LEVER ASSY	
10	2A		D10-4581-13	ARM	
11	2A		D10-4582-13	ARM	
12	3A		D10-4583-03	ARM	
13	3A		D10-4584-03	ARM	
14	3B		D10-4585-03	ARM	

Ref. No.	Add	New	Parts No.	Description	Destination
15	2A		D10-4586-13	SLIDER	
16	3B		D10-4587-52	SLIDER	
17	2B		D10-4588-13	SLIDER	
18	2B		D10-4595-04	ARM	
19	3B		D10-4596-24	ARM	
22	2A		D13-2151-04	GEAR	
23	2B		D13-2152-04	GEAR	
24	3B		D13-2153-04	GEAR	
25	3B		D13-2154-04	GEAR	
26	3B		D13-2155-04	WORM	
27	2B		D13-2156-14	GEAR	
28	3B		D13-2157-04	GEAR	
29	3B		D13-2158-04	GEAR	
30	2B		D13-2168-04	GEAR	
31	3B		D13-2171-04	GEAR	
32	1B		D13-2172-13	RACK (GEAR)	
33	2A		D14-0759-04	ROLLER	
35	2B		D21-2382-04	SHAFT	
36	1A		D23-0954-04	RETAINER	
37	1B		D39-0246-05	DAMPER	
38	2B		G01-3072-04	EXTENSION SPRING	
39	2A		G01-3073-04	TORSION COIL SPRING	
40	2A		G01-3074-04	EXTENSION SPRING	
41	1B		G01-3075-14	EXTENSION SPRING	
42	2A		G01-3076-04	EXTENSION SPRING	
43	1B		G01-3077-14	EXTENSION SPRING	
44	2B		G02-1399-04	FLAT SPRING	
45	2B		G02-1408-04	FLAT SPRING	
51	1A		J21-9676-32	MOUNTING HARDWARE	
52	3B		J21-9677-22	MOUNTING HARDWARE	
53	1B		J21-9678-13	MOUNTING HARDWARE	
55	1A		J90-1001-11	GUIDE	
56	1B		J90-1023-03	GUIDE	
DFPC1	3A		J84-0141-05	FLEXIBLE PRINTED WIRING BOARD	
A	2B		N09-4460-05	TAPTITE SCREW (OVAL P TAPTIT)	
B	1B		N09-4472-15	MACHINE SCREW (M1.7X8.0)	
C	2B		N09-6004-05	MACHINE SCREW (M1.7X2.5 IB-L)	
E	2B		N09-6007-05	MACHINE SCREW (PAN M2X2)	
F	1A		N09-6051-05	TAPTITE SCREW (BIND P 2X5)	
G	2A		N19-2163-04	FLAT WASHER	
H	1B		N39-2020-46	PAN HEAD MACHINE SCREW	
J	1B		N09-6108-05	MACHINE SCREW (M2*3.5TYPE3)	
K	3B		N09-6155-05	SEMS (TAPTITE SCREW) (PT2X6)	
DM1	3B		T42-1066-04	DC MOTOR ASSY (SPINDLE)	
DM2	2B		T42-1067-04	DC MOTOR ASSY (LOADING)	
DPU1	2B		X93-2010-00	OPTICAL PICKUP ASSY	
CASSETTE MECHANISM ASSY (D40-2204-08)					
401	2D	*	A10-5231-08	CHASSIS ASSY	
404	2D		D10-4375-08	SLIDER	
405	3C		D13-1494-08	GEAR	
406	3C		D13-1495-08	GEAR	
407	3C		D13-1496-08	GEAR	

K1 : DPX-MP4070 M2 : DPX-MP4070 M3 : DPX-MP4070B
 (E : Europe K : North America M : Other Areas W : Without Europe)

△ Indicates safety critical components.

DPX-MP4070/MP4070B

PARTS LIST

CASSETTE MECHANISM ASSY (D40-2204-08)

Ref. No.	A d d	N e w	Parts No.	Description	Desti- nation	Ref. No.	A d d	N e w	Parts No.	Description	Desti- nation
409	1D		D10-4376-08	ARM							
410	2D		J90-0948-08	GUID							
411	2D		D15-0919-08	PULLEY							
412	2D		D13-1497-08	GEAR							
415	2D		J21-9458-08	MOUNTING HARDWARE							
417	2D		G02-1332-08	FLAT SPRING							
420	2C		D13-1498-08	RACK (GEAR)							
421	1C		D10-4377-08	LEVER							
422	3D		D10-4378-08	LEVER							
423	2C		D10-4379-08	LEVER							
424	1C		D10-4380-08	LEVER							
425	1C		G01-2960-08	TENSION COIL SPRING							
426	3C		D13-1499-08	GEAR							
427	3C		D10-4381-08	ARM							
430	2D		D10-4382-08	ARM ASSY							
431	2D		D10-4383-08	ARM ASSY							
445	2C		J11-0632-08	CLAMPER							
448	3D		D01-0613-08	FLYWHEEL ASSY							
449	3D		D16-0616-08	BELT							
452	1D		D10-4385-08	ARM							
453	1D		J19-4953-08	HOLDER							
454	1C		G11-1861-08	CUSHION							
456	1D		D10-4386-08	ARM ASSY							
457	1D		G01-2962-08	TENSION COIL SPRING							
458	1D		D10-4387-08	SLIDER							
465	2C		B09-0522-08	CAP							
466	2C		G01-2963-08	COMPRESSION COIL SPRING							
467	2C		D03-0314-08	REEL DISK ASSY							
476	2C		J19-5025-08	CORD CLAMPER							
490	3C		J26-4042-08	PRINTED WIRING BOARD ASSY							
494	2C		T95-0245-08	PHOTO COUPLER							
A	3C		N09-4324-08	MACHINE SCREW							
B	2C		N19-2136-08	FLAT WASHER							
C	2D		N09-4325	MACHINE SCREW							
D	2C		N09-4326-08	MACHINE SCREW							
E	2C		N09-4058-08	SEMS (MACHINE SCREW)							
F	2D		N19-2038-08	FLAT WASHER							
G	2C		N19-2136-08	FLAT WASHER							
H	2D		N19-2137-08	FLAT WASHER							
J	3D		N19-2138-08	FLAT WASHER							
K	3D		N09-4327-08	SCREW							
M	3D		N09-4329-08	SCREW							
N	1D		N19-2139-08	FLAT WASHER							
CM1	1C		T42-1002-08	MOTOR ASSY (MAIN)							
CM2	1C	*	T42-1316-08	MOTOR ASSY (SUB)							
HD1	2D		T31-0226-08	PLAYBACK HEAD							

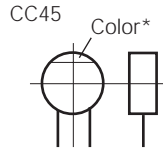
K1 : DPX-MP4070 M2 : DPX-MP4070 M3 : DPX-MP4070B
(E : Europe K : North America M : Other Areas W : Without Europe)

△ Indicates safety critical components.

CAPACITORS

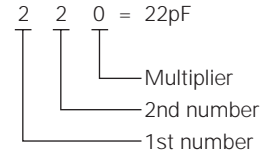
$\frac{C}{1} \frac{C}{2} \frac{45}{3} \frac{TH}{4} \frac{1H}{5} \frac{220}{6} \frac{J}{6}$

- 1 = Type ... ceramic, electrolytic, etc.
- 2 = Shape ... round, square, etc.
- 3 = Temp. coefficient
- 4 = Voltage rating
- 5 = Value
- 6 = Tolerance



Capacitor value

- 010 = 1pF
- 100 = 10pF
- 101 = 100pF
- 102 = 1000pF = 0.001μF
- 103 = 0.01μF



Temperature coefficient

1st Word	C	L	P	R	S	T	U
Color*	Black	Red	Orange	Yellow	Green	Blue	Violet
ppm/°C	0	-80	-150	-220	-330	-470	-750

2nd Word	G	H	J	K	L
ppm/°C	±30	±60	±120	±250	±500

Example : CC45TH = -470±60ppm/°C

Tolerance (More than 10pF)

Code	C	D	G	J	K	M	X	Z	P	No code
(%)	±0.25	±0.5	±2	±5	±10	±20	+40 -20	+80 -20	+100 -0	More than 10μF : -10~+50 Less than 4.7μF : -10~+75

(Less than 10pF)

Code	B	C	D	F	G
(pF)	±0.1	±0.25	±0.5	±1	±2

Voltage rating

2nd word \ 1st word	A	B	C	D	E	F	G	H	J	K	V
0	1.0	1.25	1.6	2.0	2.5	3.15	4.0	5.0	6.3	8.0	-
1	10	12.5	16	20	25	31.5	40	50	63	80	35
2	100	125	160	200	250	315	400	500	630	800	-
3	1000	1250	1600	2000	2500	2150	4000	5000	6300	8000	-

CHIP CAPACITORS

(EX) $\frac{C}{1} \frac{C}{2} \frac{73}{3} \frac{F}{4} \frac{SL}{5} \frac{1H}{6} \frac{000}{7} \frac{J}{7}$

(Chip) (CH, RH, UJ, SL)

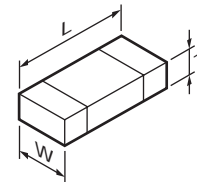
Refer to the table above.

- 1 = Type
- 2 = Shape
- 3 = Dimension
- 4 = Temp. coefficient
- 5 = Voltage rating
- 6 = Value
- 7 = Tolerance

(EX) $\frac{C}{1} \frac{K}{2} \frac{73}{3} \frac{F}{4} \frac{F}{5} \frac{1H}{6} \frac{000}{7} \frac{Z}{7}$

(Chip) (B, F)

Dimension



Chip capacitor

Code	L	W	T
Empty	5.6±0.5	5.0±0.5	Less than 2.0
A	4.5±0.5	3.2±0.4	Less than 2.0
B	4.5±0.5	2.0±0.3	Less than 2.0
C	4.5±0.5	1.25±0.2	Less than 1.25
D	3.2±0.4	2.5±0.3	Less than 1.5
E	3.2±0.2	1.6±0.2	Less than 1.25
F	2.0±0.3	1.25±0.2	Less than 1.25
G	1.6±0.2	0.8±0.2	Less than 1.0
H	1.0±0.05	0.5±0.05	0.5±0.05

Chip resistor

Code	L	W	T
E	3.2±0.2	1.6±0.2	1.0
F	2.0±0.3	1.25±0.2	1.0
G	1.6±0.2	0.8±0.2	0.5±0.1
H	1.0±0.05	0.5±0.05	0.35±0.05

RESISTORS

Chip resistor (Carbon)

(EX) $\frac{R}{1} \frac{D}{2} \frac{73}{3} \frac{E}{4} \frac{B}{5} \frac{2B}{6} \frac{000}{7} \frac{J}{7}$

(Chip) (B, F)

Carbon resistor (Normal type)

(EX) $\frac{R}{1} \frac{D}{2} \frac{14}{3} \frac{B}{4} \frac{B}{5} \frac{2C}{6} \frac{000}{7} \frac{J}{7}$

(Chip) (B, F)

- 1 = Type ... ceramic, electrolytic, etc.
- 2 = Shape ... round, square, etc.
- 3 = Dimension
- 4 = Temp. coefficient
- 5 = Voltage rating
- 6 = Value
- 7 = Tolerance

Rating wattage

Code	Wattage	Code	Wattage	Code	Wattage
1J	1/16W	2C	1/6W	3A	1W
2A	1/10W	2E	1/4W	3D	2W
2B	1/8W	2H	1/2W		

DPX-MP4070/MP4070B

SPECIFICATIONS

DPX-MP4070 (K)

- FM
 - Frequency Range (Frequency Step) ... 87.9MHz~107.9MHz (200kHz)
 - Usable Sensitivity (S/N : 30dB) 9.3dBf (0.8 μ V/75 Ω)
 - Quieting Sensitivity (S/N : 50dB) 15.2dBf (1.6 μ V/75 Ω)
 - Frequency Response (\pm 3.0dB) 30Hz~15kHz
 - S/N 70dB (MONO)
 - Selectivity \geq 80dB (\pm 400kHz)
 - Stereo Separation 30dB (1kHz)
- AM
 - Frequency Range (Frequency Step) 530kHz~1700kHz (10kHz)
 - Usable Sensitivity (S/N : 20dB) 28dB μ V (25 μ V)
- CASSETTE
 - Tape Speed 4.76cm/sec.
 - Wow & Flutter 0.1% (WRMS)
 - Frequency Response (\pm 3.0dB) 40Hz~20kHz (70 μ s)
 - Stereo Separation 35dB (1kHz)
 - S/N Ratio Dolby NR off 50dB (B NR off)
 - Dolby B NR on 60dB
- CD
 - Laser Diode GaAlAs
 - Digital Filter (D/A) 8 Times Over Sampling
 - D/A Converter 1 Bit
 - Spindle Speed 500rpm~200rpm (CLV)
 - Wow & Flutter Below Mesurable Limit
 - Frequency Response 10Hz~20kHz (\pm 1dB)
 - Total Harmonic Distortion 0.01% (1kHz)
 - S/N Ratio 100dB (1kHz)
 - Dynamic Range 93dB
 - Channel Separation 85dB
 - MP3 decode Compliant with MPEG-1/2 Audio Layer-3
 - WMA decode Compliant with Windows Media Audio
- AMPLIFIER
 - Maximum Power 50W x 4
 - Full Bandwidth Power 22W x 4 (at less than 1% THD)
 - Preout Level 1800mV/10k Ω
 - Preout Impedance \leq 600 Ω
 - AUX Input
 - Frequency Response 20Hz~20kHz (\pm 1dB)
 - Input Maximum Voltage 1200mV
 - Input Impedance 100k Ω
- GENERAL
 - Operating Voltage 14.4V (11V~16V)
 - Current Consumption 10A
 - Installation Size (Width) 178mm (7inch)
 - (Height) 100mm (3-15/16inch)
 - (Depth) 155mm (6-1/8inch)
 - Weight 2.3kg (5.1lbs)

DPX-MP4070/MP4070B (M)

- FM
 - Frequency Range (Frequency Step) 87.5MHz~108.0MHz (50kHz)
 - 87.9MHz~107.9MHz (200kHz)
 - Channel Space Selection 50kHz/200kHz
 - Usable Sensitivity (S/N : 30dB) 9.3dBf (0.8 μ V/75 Ω)
 - Quieting Sensitivity (S/N : 50dB) 15.2dBf (1.6 μ V/75 Ω)
 - Frequency Response (\pm 3.0dB) 30Hz~15kHz
 - S/N 70dB (MONO)
 - Selectivity \geq 80dB (\pm 400kHz)
 - Stereo Separation 30dB (1kHz)
- AM
 - Frequency Range (Frequency Step) 531kHz~1611kHz (9kHz)
 - 530kHz~1700kHz (10kHz)
 - Channel Space Selection 9kHz/10kHz
 - Usable Sensitivity (S/N : 20dB) 28dB μ V (25 μ V)
- CASSETTE
 - Tape Speed 4.76cm/sec.
 - Wow & Flutter 0.1% (WRMS)
 - Frequency Response (\pm 3.0dB) 40Hz~20kHz (70 μ s)
 - Stereo Separation 35dB (1kHz)
 - S/N Ratio Dolby NR off 50dB (B NR off)
 - Dolby B NR on 60dB
- CD
 - Laser Diode GaAlAs
 - Digital Filter (D/A) 8 Times Over Sampling
 - D/A Converter 1 Bit
 - Spindle Speed 500rpm~200rpm (CLV)
 - Wow & Flutter Below Mesurable Limit
 - Frequency Response 10Hz~20kHz (\pm 1dB)
 - Total Harmonic Distortion 0.01% (1kHz)
 - S/N Ratio 100dB (1kHz)
 - Dynamic Range 93dB
 - Channel Separation 85dB
 - MP3 decode Compliant with MPEG-1/2 Audio Layer-3
 - WMA decode Compliant with Windows Media Audio
- AMPLIFIER
 - Maximum Power 50W x 4
 - Full Bandwidth Power 22W x 4 (at less than 1% THD)
 - Preout Level 1800mV/10k Ω
 - Preout Impedance \leq 600 Ω
 - AUX Input
 - Frequency Response 20Hz~20kHz (\pm 1dB)
 - Input Maximum Voltage 1200mV
 - Input Impedance 100k Ω
- GENERAL
 - Operating Voltage 14.4V (11V~16V)
 - Current Consumption 10A
 - Installation Size (Width) 178mm (7inch)
 - (Height) 100mm (3-15/16inch)
 - (Depth) 155mm (6-1/8inch)
 - Weight 2.3kg

KENWOOD follows a policy of continuous advancements in development. For this reason specifications may be changed without notice.

Manufactured under license from Dolby Laboratories. "Dolby" and the double-D symbol are trademarks of Dolby Laboratories.

KENWOOD CORPORATION

2967-3, Ishikawa-machi, Hachioji-shi, Tokyo, 192-8525 Japan

KENWOOD USA CORPORATION
P.O. Box 22745, 2201 East Dominguez Street, Long Beach, CA 90801-5745, U.S.A.

KENWOOD ELECTRONICS CANADA INC.
6070 Kestrel Road, Mississauga, Ontario, Canada L5T 1S8

KENWOOD ELECTRONICS LATIN AMERICA S.A.
P.O. Box 55-2791 Paiteilla, Plaza Credicorp Bank Panama,
Piso 9, Oficina 901, Calle 50, Panama, Rep. de Panama

KENWOOD ELECTRONICS BRASIL LTDA.
Alameda Ministro Rocha Azevedo No. 456,
Edifício Jaú, 10o Andar, Cerqueira César, Cep 01440-001,
São Paulo-SP-Brasil

KENWOOD ELECTRONICS UK LIMITED
Kenwood House, Dwight Road, Watford, Herts, WD18 9EB, United Kingdom

KENWOOD ELECTRONICS DEUTSCHLAND GMBH
Rembrücker-Str. 15, 63150 Heusenstamm, Germany

KENWOOD ELECTRONICS FRANCE S.A.
13, Boulevard Ney, 75018 Paris, France

KENWOOD ELECTRONICS BELGIUM N.V.
Leuvensesteenweg 248 J, 1800 Vilvoorde, Belgium

KENWOOD ELECTRONICS ITALIA S.p.A.
Via G. Sirtori 7/9, 20129 Milano, Italy

KENWOOD IBÉRICA S.A.
Bolvivia, 239-08020 Barcelona, Spain

KENWOOD ELECTRONICS AUSTRALIA PTY. LTD. (A.C.N. 001 499 074)
16 Giffnock Avenue, Centrecourt Estate, North Ryde,
N.S.W. 2113, Australia

KENWOOD ELECTRONICS (HONG KONG) LTD.
Unit 3712-3724, Level 37, Tower 1, Metroplaza, 223 Hing Fong Road, Kwai Fong, N.T.,
Hong Kong

KENWOOD ELECTRONICS GULF FZE
P.O. Box 61318, Jebel Ali, Dubai, U.A.E.

KENWOOD ELECTRONICS (THAILAND) CO., LTD.
956 Udom Vidhya Building (Olympia) Rama IV Road, Silom, Bangkok, Bangkok 10500 Thailand

KENWOOD ELECTRONICS SINGAPORE PTE. LTD.
1 Genting Lane, #07-00, Kenwood Building, Singapore, 349544

KENWOOD ELECTRONICS (MALAYSIA) SDN BHD
#4.01 Level 4, Wisma Academy Lot 4A, Jalan 19/1, 46300 Petaling Jaya, Selangor Darul Ehsan,
Malaysia